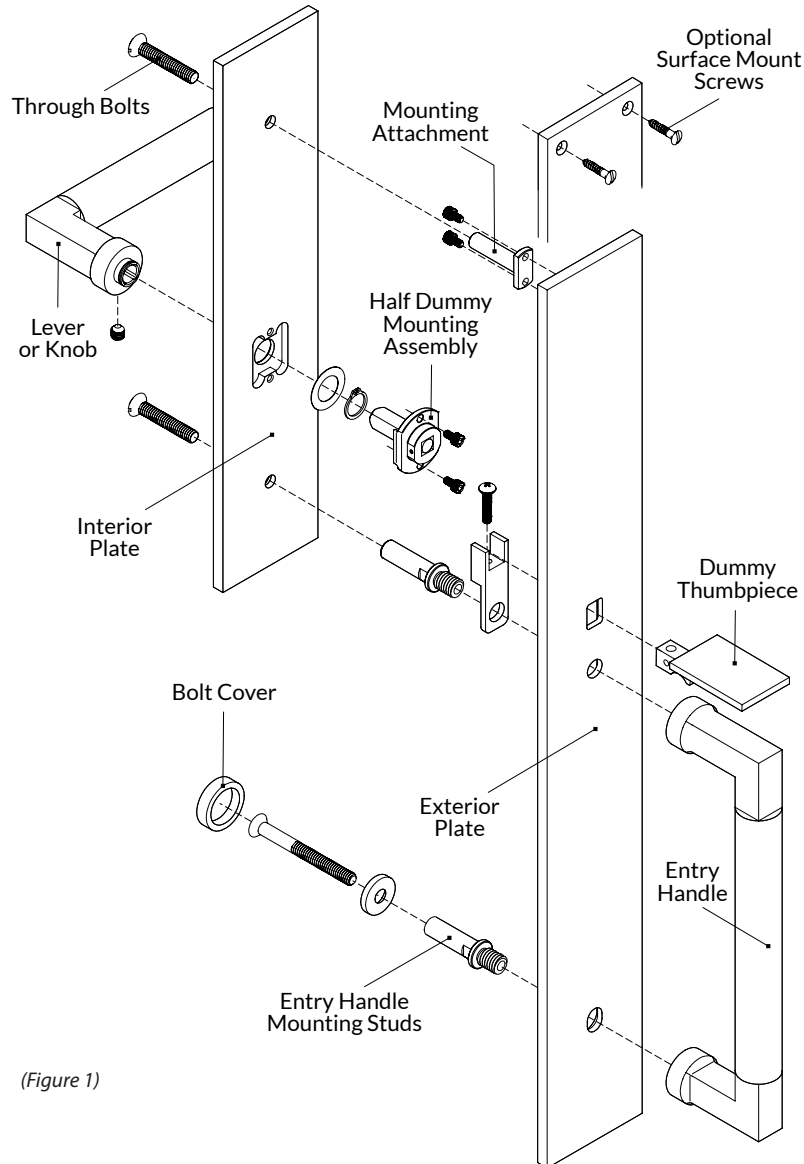




WATER STREET.
JAMESTOWN NEW YORK

MTKL-FD - MORTISE / TTKL-FD - TUBULAR ENTRY HANDLE FULL DUMMY SET



(Figure 1)

FULL DUMMY SET

A mortise or tubular escutcheon entry handle set features fixed thumb piece exterior by a fixed lever or knob interior. The sets are the same regardless of the lock configuration.

- The exterior plate has an entry handle, a fixed thumbpiece, and two entry handle mounting studs.
- The interior plate has a fixed knob or lever, with exposed through bolts.
- The interior of the door will also include a bolt cover with mounting plate and through bolt.
- An optional exposed screw trim is available.

STRIKE OPTION

In some instances, the dummy set is used on the fixed leaf of a double door set. The dummy door may include a strike plate for the active door lock. Installation is covered in the active door instructions.



WATER STREET.
JAMESTOWN NEW YORK

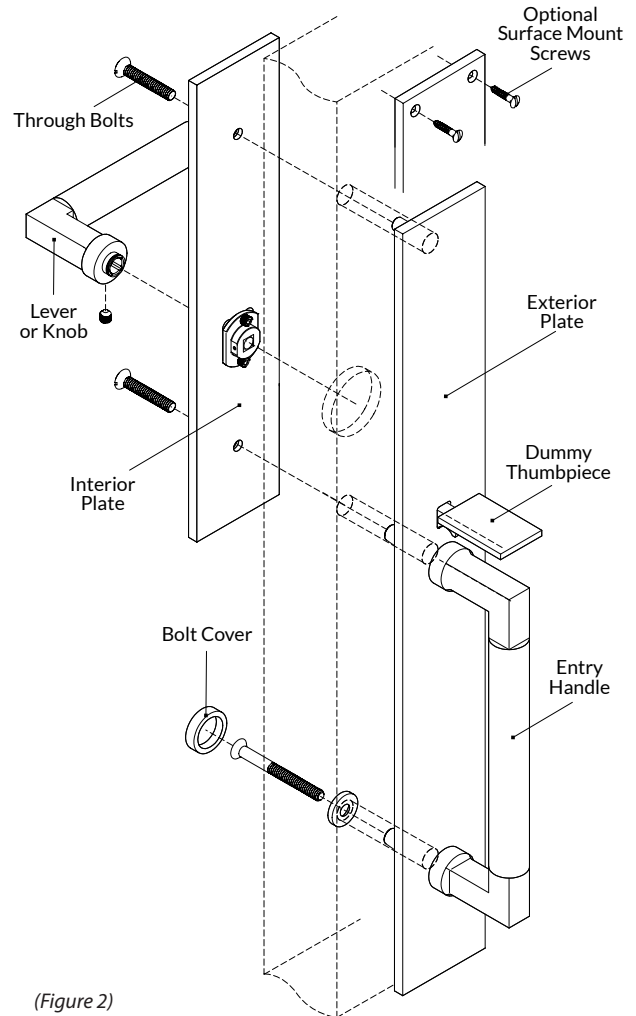
MTKL-FD - MORTISE / TTKL-FD - TUBULAR ENTRY HANDLE FULL DUMMY SET

PREPARE DOOR

1. Prepare the door according to the template provided.

INSTALL THE ESCUTCHEON PLATES

2. Fit the exterior plate onto the door surface, passing the entry handle mounting studs through the bore holes.
3. Next, position the interior plate on the door and loosely install the upper two through bolts so that they engage with the exterior plate mounting studs. (Figure 2)
4. Make sure both plates are square and parallel to the door edge, then tighten through bolts. Adjust as needed.
If surface mount screws are to be used, mark the screw hole locations and drill pilot holes prior to installing the screws.
5. Place the lower through bolt into the bolt cover mounting plate, then install into the lower entry handle mounting stud. Install the bolt cover onto its mounting plate and hand tighten.
6. Slide the interior knob or lever onto the dummy spindle until fully seated. Secure by firmly tightening the set screw with an Allen wrench.

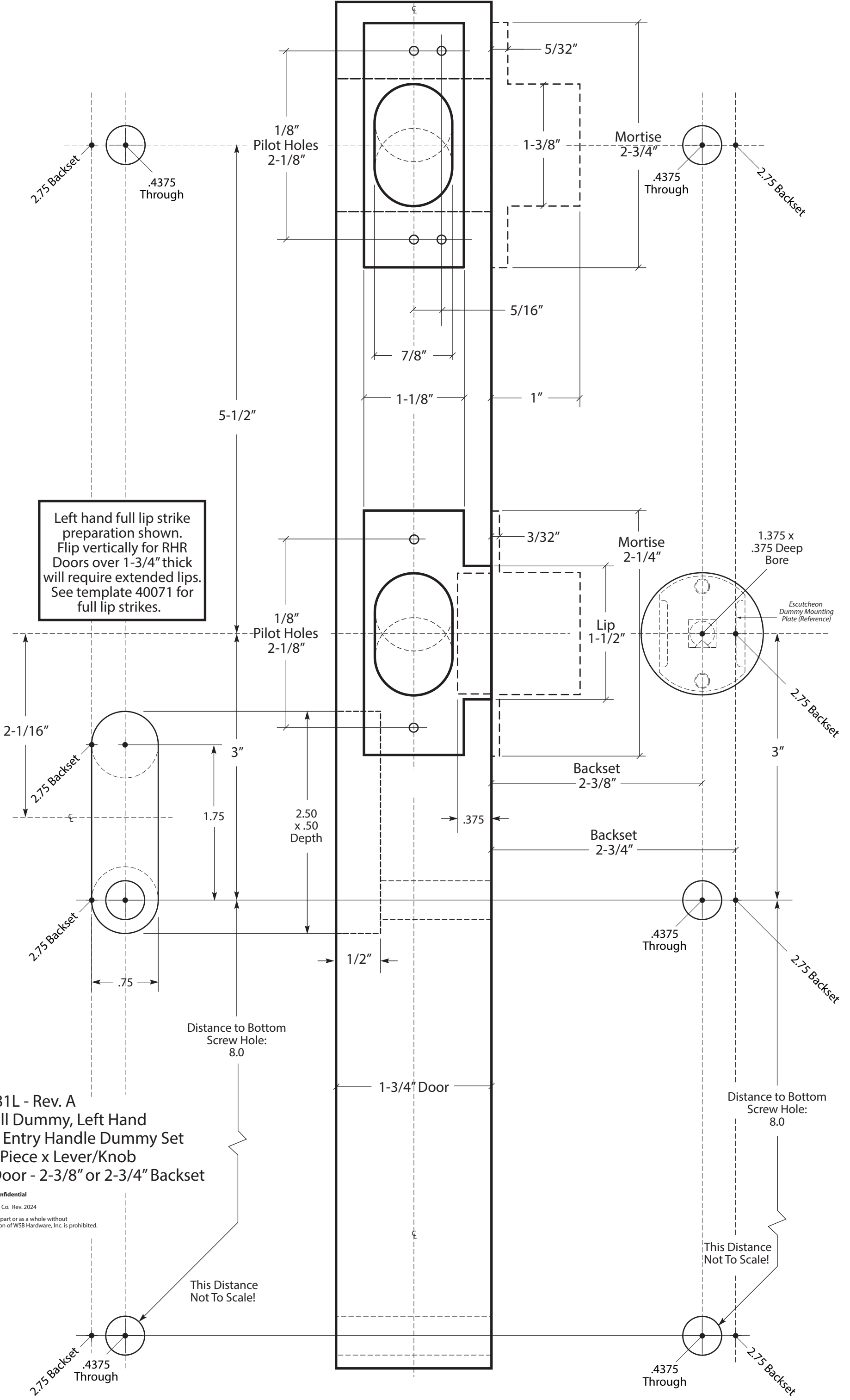


(Figure 2)

Door Face Exterior

Door Edge
If door is more than 1-3/4",
center the strike plates.
Extended lip strikes will be required.

Door Face Interior



Left hand full lip strike preparation shown. Flip vertically for RHR. Doors over 1-3/4" thick will require extended lips. See template 40071 for full lip strikes.

WS40081L - Rev. A
TTKL Full Dummy, Left Hand
Tubular Entry Handle Dummy Set
Thumb Piece x Lever/Knob
1-3/4" Door - 2-3/8" or 2-3/4" Backset

Proprietary And Confidential
© Water Street Brass, Co. Rev. 2024
Any reproduction in part or as a whole without the written permission of WSB Hardware, Inc. is prohibited.

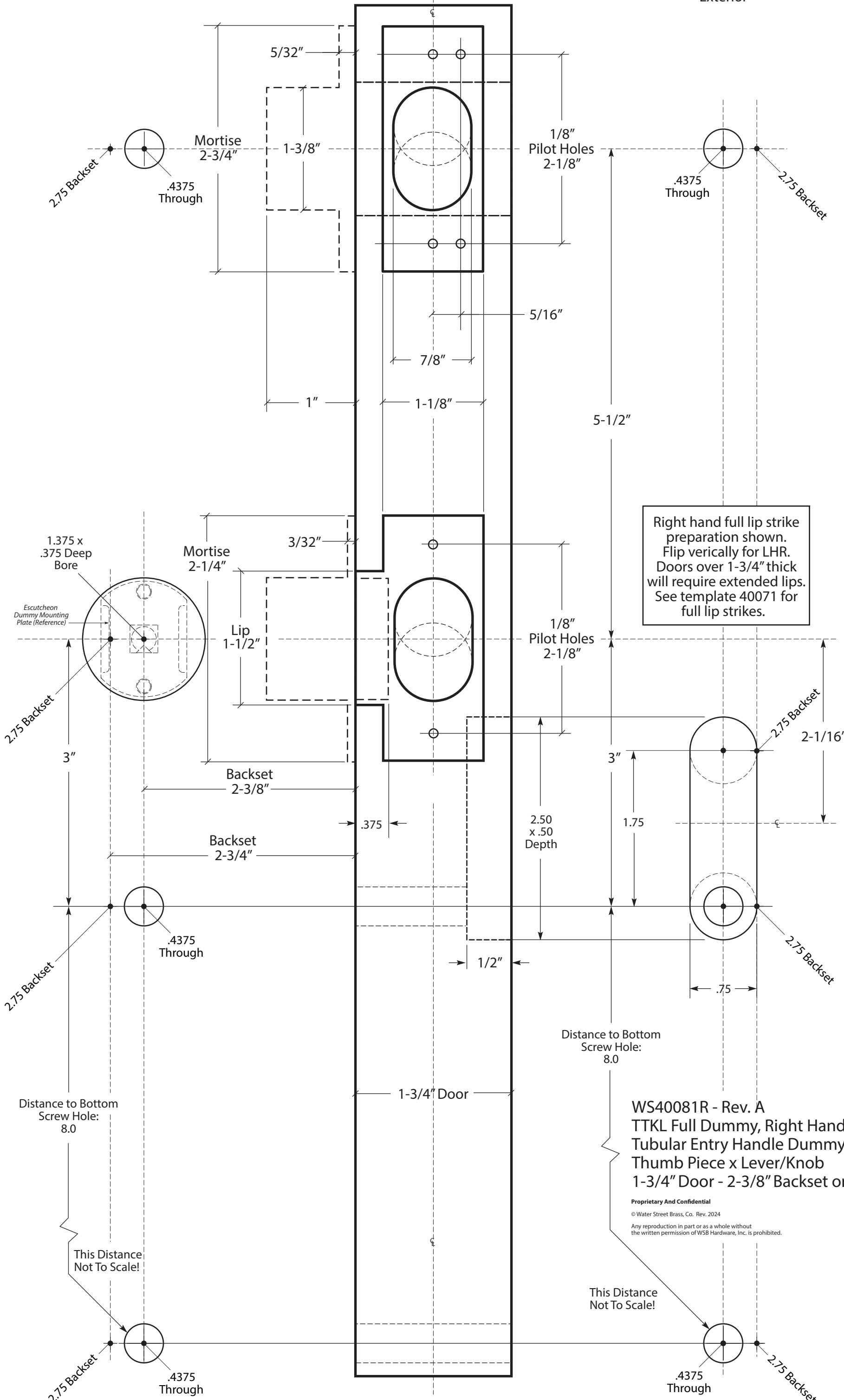
This Distance Not To Scale!

This Distance Not To Scale!

Door Edge
 If door is more than 1-3/4",
 center the strike plates.
 Extended lip strikes will be required.

Door Face
 Interior

Door Face
 Exterior



Right hand full lip strike
 preparation shown.
 Flip vertically for LHR.
 Doors over 1-3/4" thick
 will require extended lips.
 See template 40071 for
 full lip strikes.

WS40081R - Rev. A
 TTKL Full Dummy, Right Hand
 Tubular Entry Handle Dummy Set
 Thumb Piece x Lever/Knob
 1-3/4" Door - 2-3/8" Backset or 2-3/4" Backset

Proprietary And Confidential
 © Water Street Brass, Co. Rev. 2024
 Any reproduction in part or as a whole without
 the written permission of WSB Hardware, Inc. is prohibited.

This Distance
 Not To Scale!

This Distance
 Not To Scale!