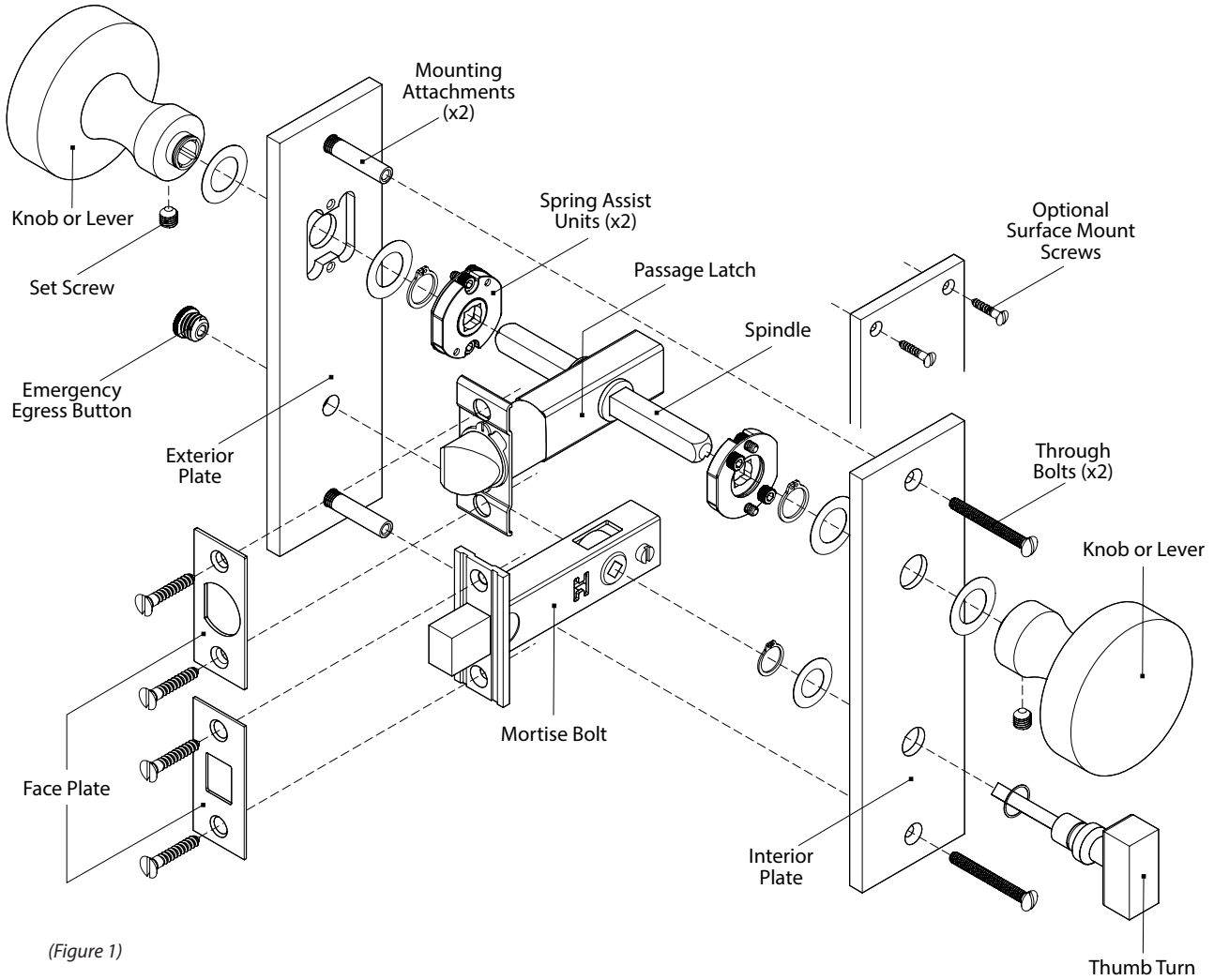




WATER STREET.
JAMESTOWN NEW YORK

TE-PR / TE-PT - TUBULAR ESCUTCHEON PRIVACY / PATIO SETS



(Figure 1)

ESCUTCHEON MOUNTING & ORIENTATION

The sets are shown with the passage latch above the mortise bolt. Depending on your door preparation, the latch may be located below the mortise bolt.

Escutcheon plates are typically mounted with through bolts but surface mount screws can be used. If this is the case, use the plates as templates to mark the door for pilot holes.

PRIVACY SET

A tubular privacy set consists of a tubular passage latch coupled with a mortise bolt.

- The interior plate has a knob or lever, with a thumb turn, and exposed through bolt screws.
- The exterior plate includes a knob or lever, an emergency egress button, and mounting attachments.

PATIO SET

A tubular patio set consists of a tubular passage latch coupled with a mortise bolt.

- The interior plate has a knob or lever, with a thumb turn, and exposed through bolt screws.
- The exterior plate has a knob or lever, and mounting attachments.

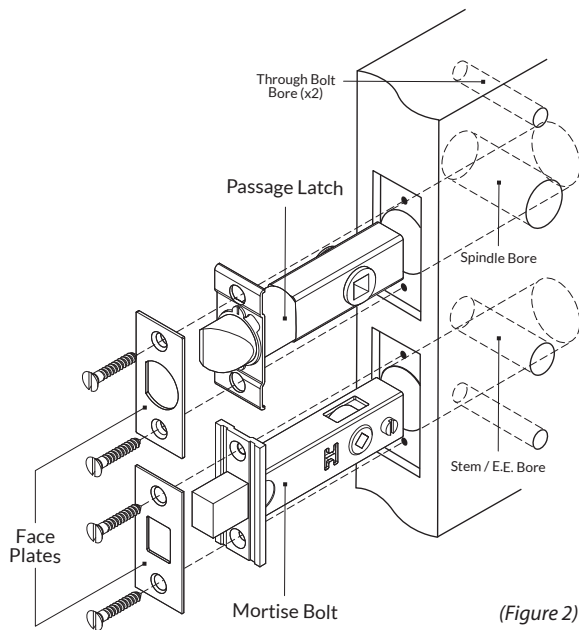


TE-PR / TE-PT - TUBULAR ESCUTCHEON PRIVACY / PATIO SETS

PREPARE DOOR, INSERT LATCH & BOLT

1. Determine the desired locations of the passage latch and mortise bolt on your door. Prepare the door according to the template provided.
2. Use the face plates to mark the screw locations on the edge of the door, then drill pilot holes (x2 each).
3. Install the latch sub-plate onto the latch. Rotate the latch bolt to the desired direction based on handing, then insert the assembly into the door.
4. Install the latch face plate and screws.
5. In the same manner, install the mortise bolt and face plate with the screws provided.

Do not over tighten the face plate screws at this time, as some adjustment may be necessary. (Figure 2)

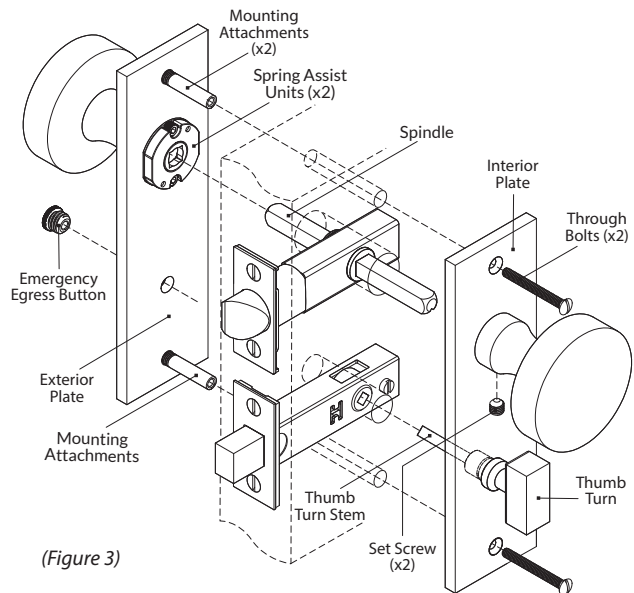


(Figure 2)

INSTALL THE HARDWARE

6. Center the spindle within the latch body. The set screw slots should be on the bottom, facing the floor.
 7. Fit the exterior plate spring assist unit and knob or lever onto the spindle. Position the plate assembly on the door by inserting the mounting attachments through the holes drilled for them.
 8. Repeat the process with the interior plate assembly by sliding the spring assist unit and knob or lever onto the spindle. Side the thumb turn stem into mortise bolt hub.
- Note: For privacy sets, the thumb turn stem should only go half way through the mortise bolt body. Measure and cut to length prior to final assembly.
9. With both plates in position on the door, secure them together by inserting the through bolts and tightening, or by installing the surface mount screws. (Figure 3)
 10. Test the function of the latch and bolt. If binding occurs, loosen the face plate screws slightly until smooth operation is achieved.

11. Secure the knobs or levers to the spindle by tightening the set screws.
12. If not already installed, hand tighten the emergency egress button into the exterior privacy plate.



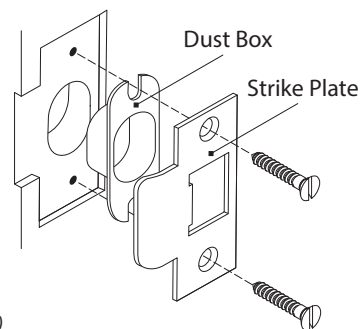
(Figure 3)

DOOR JAMB

13. Measure the jamb to determine the locations the latch bolt and mortise bolt strikes when the door is fully closed. Using the strike plate templates provided, prepare the door jamb to accept the dust boxes and strike plates.

Note: Determine if the latch strike plate is a full lip or T-strike, and the handing required. Mortise the jamb accordingly.

14. Install the dust boxes and face plates with the screws provided. Make sure the face plates sit flush with the jamb surface; deepen the cavities as needed. After installation, if the latch or bolt do not fully engage with the strikes, loosen the screws and adjust. (Figure 4)

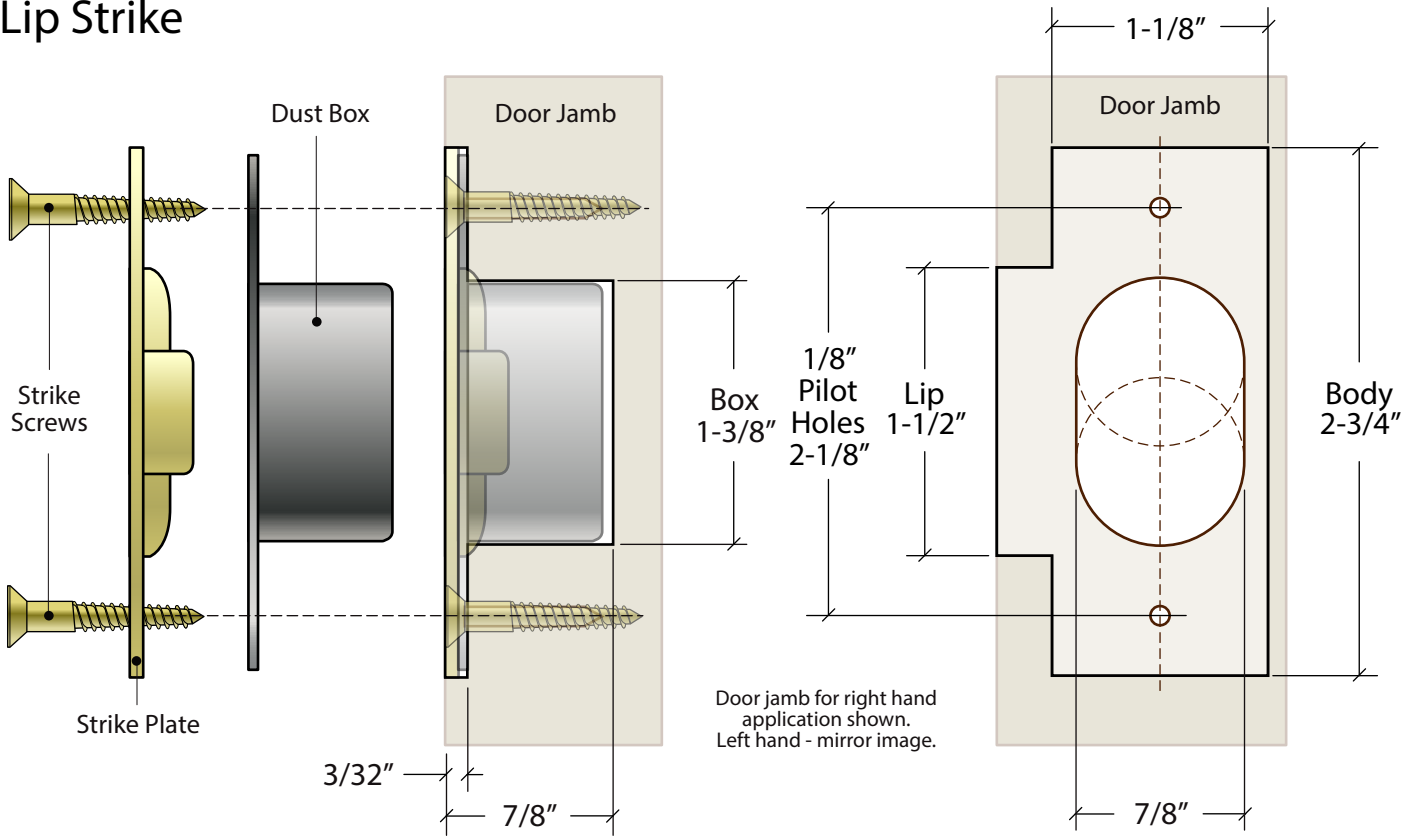


(Figure 4)

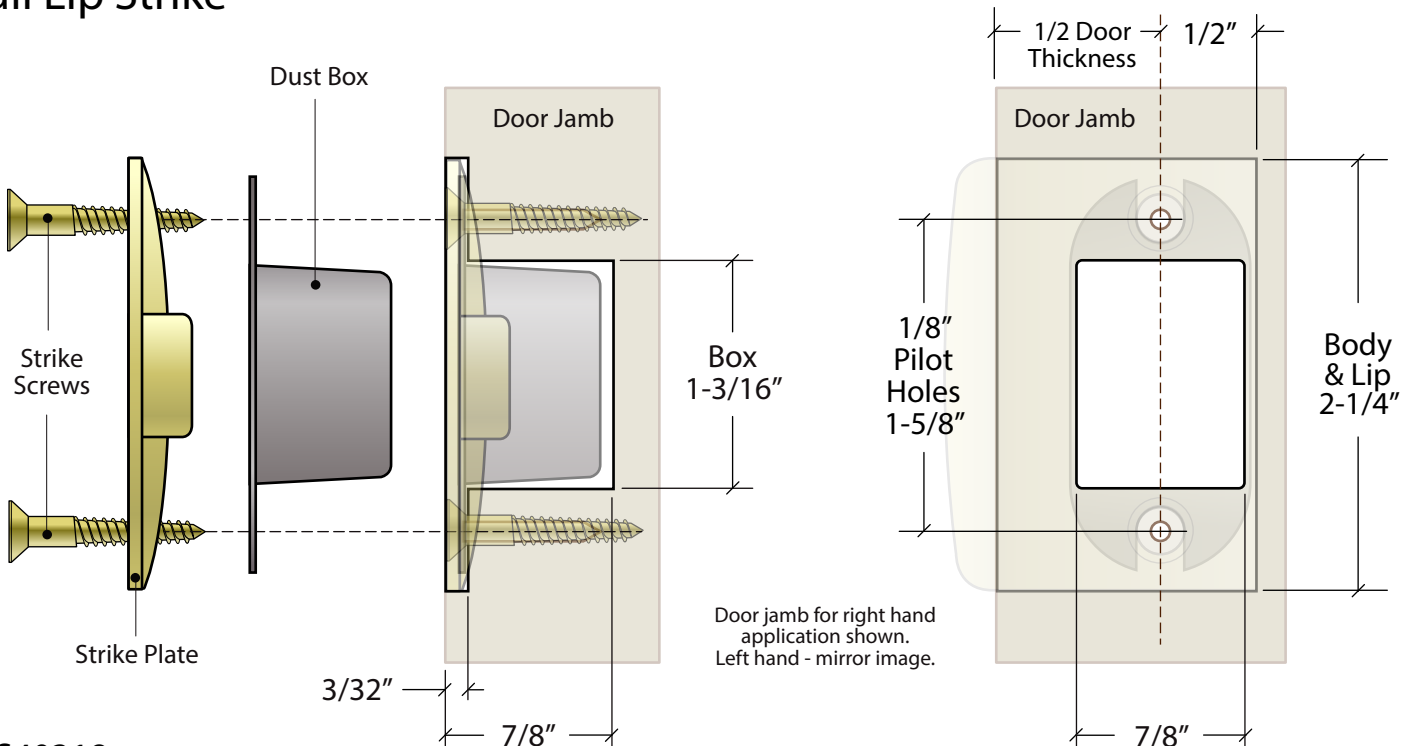


WATER STREET

T-Lip Strike



Full Lip Strike



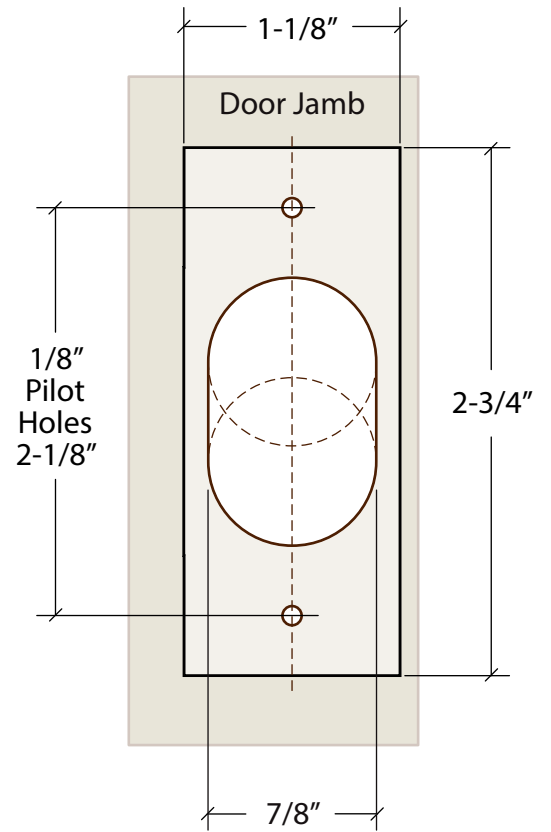
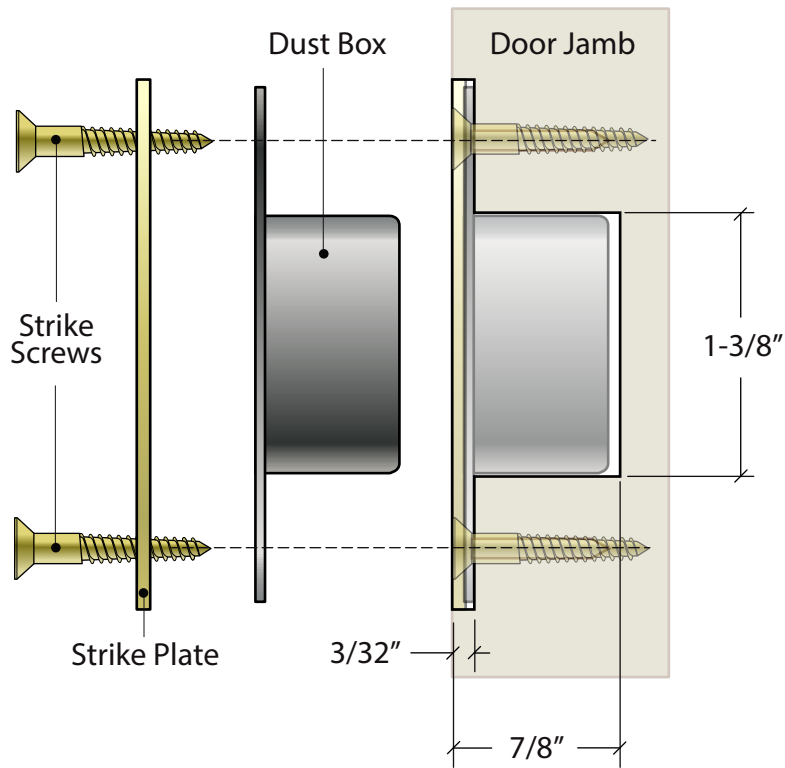
WS40318 Tubular Strike Templates

Proprietary And Confidential
© WSB Hardware, Inc. 2022

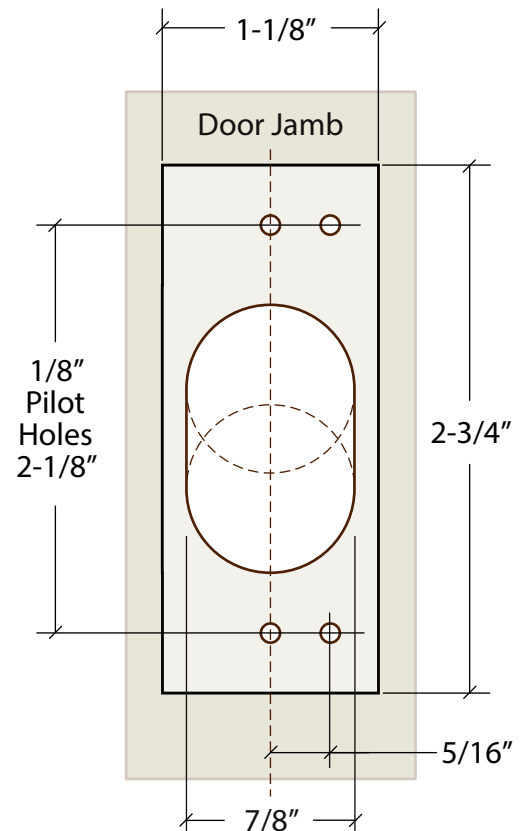
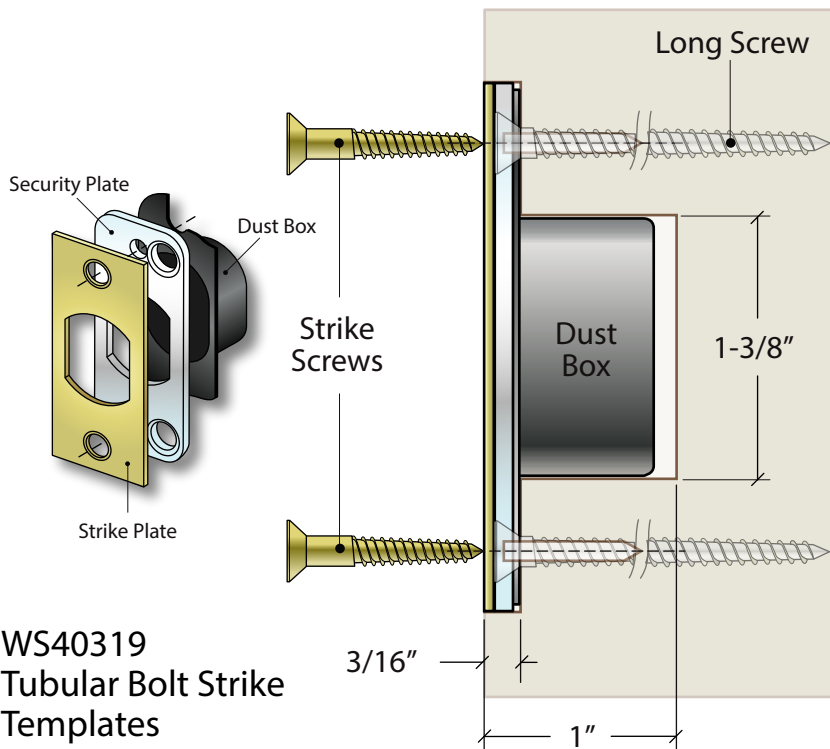


WATER STREET

Mortise Bolt Strike



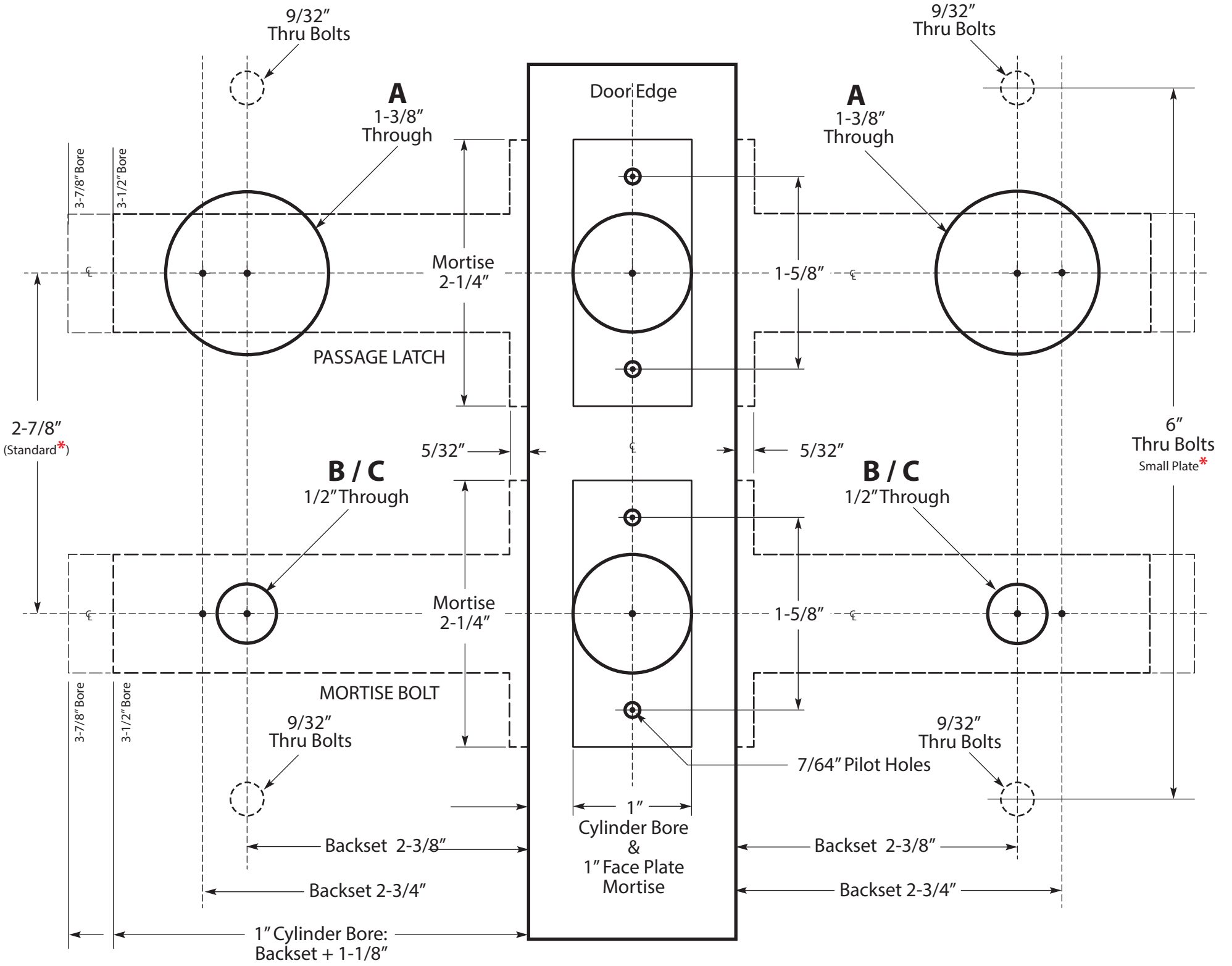
Auxiliary Deadbolt Strike



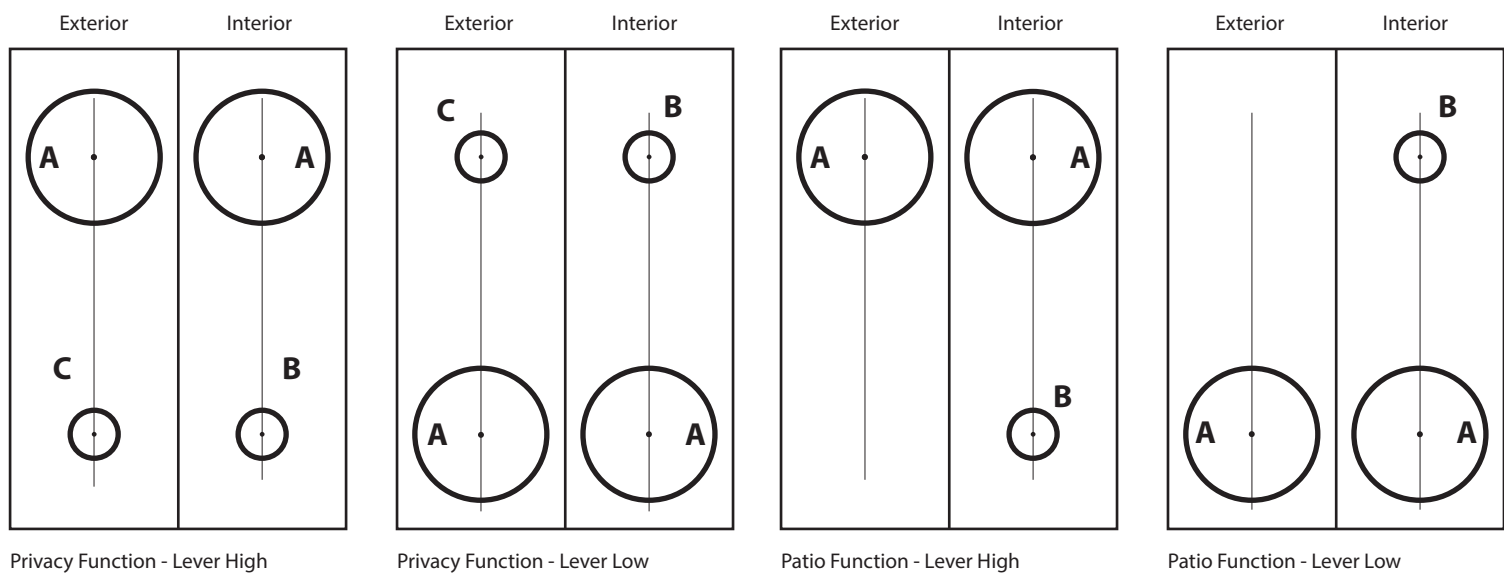
WS40319
Tubular Bolt Strike
Templates

Solid Door
Escutcheons

Center Tubular
Lock or Latch in the door



The privacy mortise bolt may be above or below the latch. Confirm your configuration before preparing the door.



- A** Escutcheon with Spring Assist
- B** Escutcheon Mounted Thumb Turn
- C** Escutcheon Mounted Emergency Egress Button

*Confirm your center to center dimensions prior to drilling!

WS40303
TE-PR Tubular Escutcheon - Privacy Set
Tubular Passage Latch x Mortise Bolt