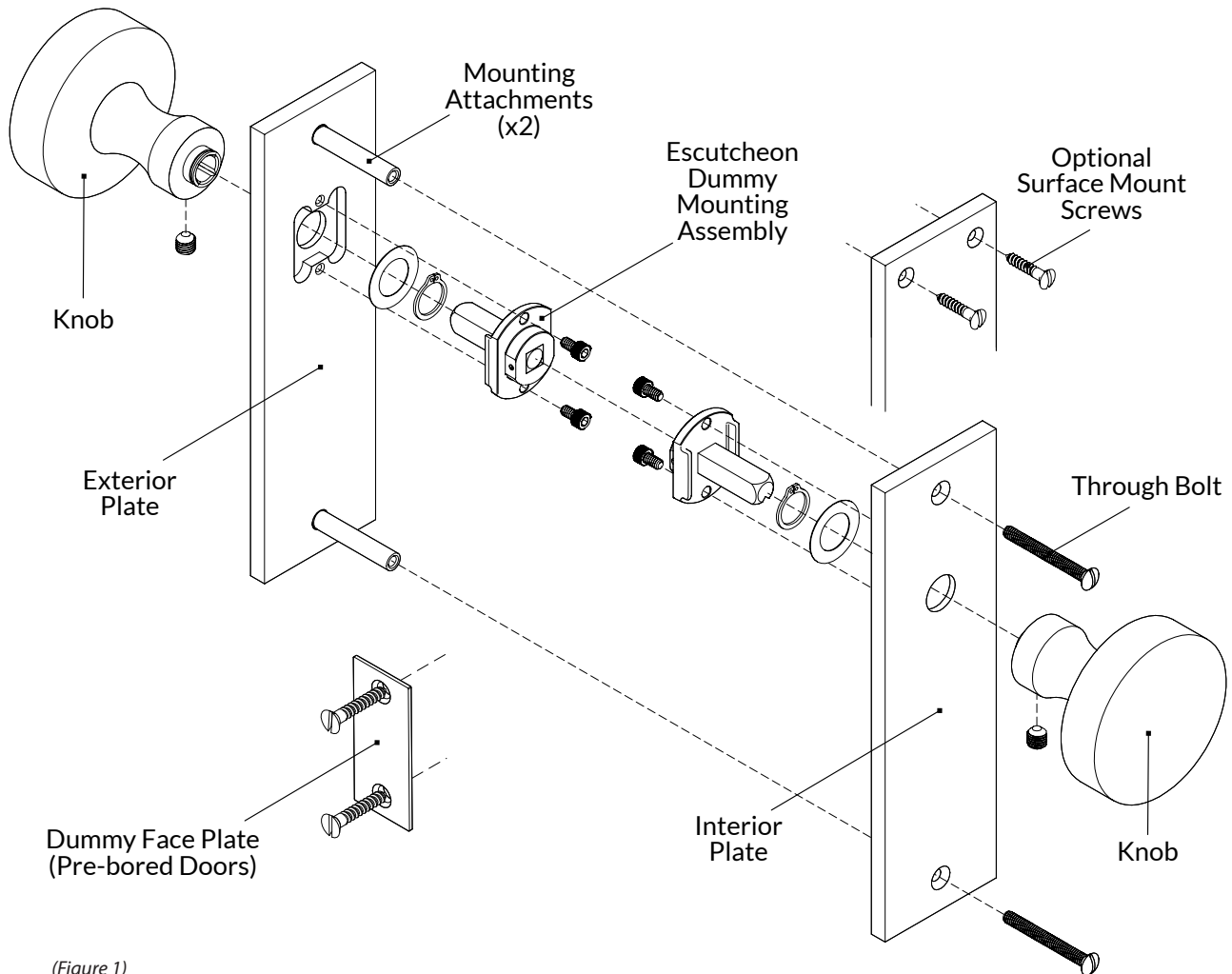




## ME & TE / FD & HD - ESCUTCHEON DUMMY SETS



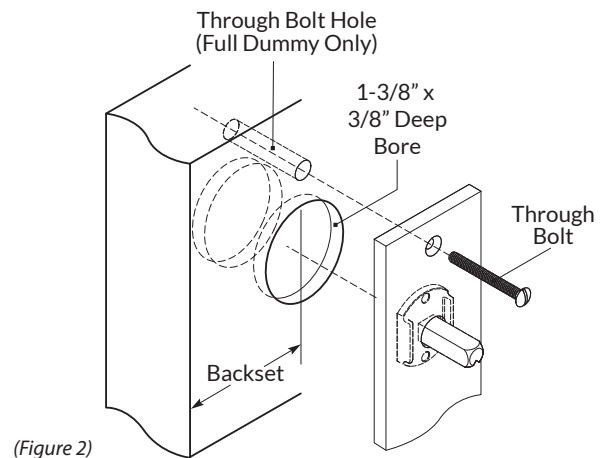
(Figure 1)

### PREPARE DOOR

1. Carefully measure and mark the knob or lever location on the door. The height and backset should match those of your passage doors. Prepare the door according to the template provided.

A full dummy set consists of two half dummies, attached on either side of the door. Lever sets will consist of one left and one right hand lever.

A half dummy will only require a bore on one side of the door, and surface mount screws will be used. Do not drill through bolt holes. (Figure 2)



(Figure 2)



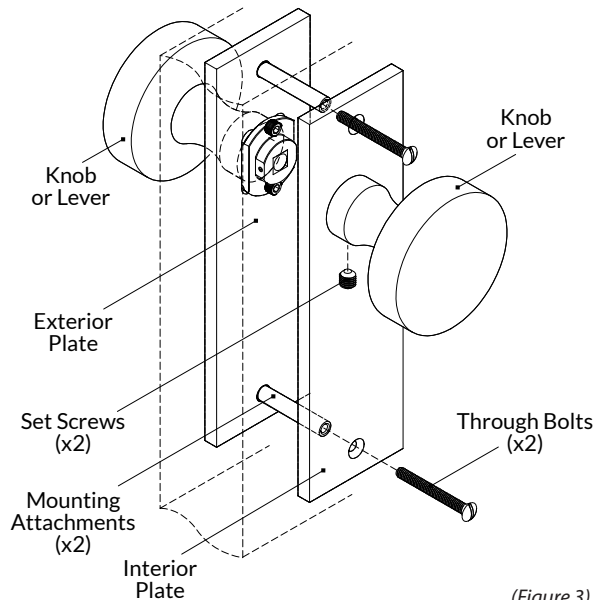
# WATER STREET

JAMESTOWN NEW YORK

## ME & TE / FD & HD - ESCUTCHEON DUMMY SETS

### INSTALL HARDWARE - THROUGH BOLTS

2. Position the exterior plate assembly on the outer door surface with the mounting attachments passing through the door.
3. Position the interior plate assembly on the inner door surface and insert the through bolts. Tighten the bolts evenly. (Figure 3)
4. Complete the installation by tightening the set screws on the knobs or levers.

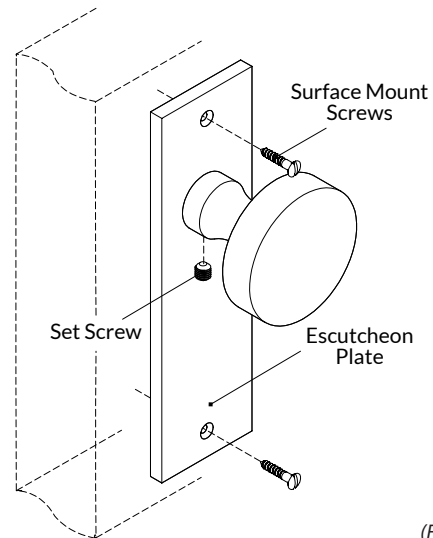


(Figure 3)

### INSTALL HARDWARE - SURFACE MOUNT

Half dummy sets use surface mount instead of through bolts. Surface mount screws are available on full dummy sets upon request.

6. Position a plate assembly on the door surface. Using the plate as a template, carefully mark the location of the screw holes. Remove the plate and drill 1/16" pilot holes for the surface mount screws.
7. Attach the plate to the door with the surface mount screws. If installing a full dummy set, repeat these steps with the second plate. (Figure 4)
8. Complete the installation by tightening the set screws on the knobs or levers.

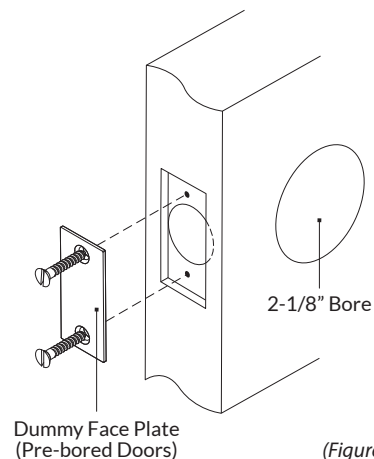


(Figure 4)

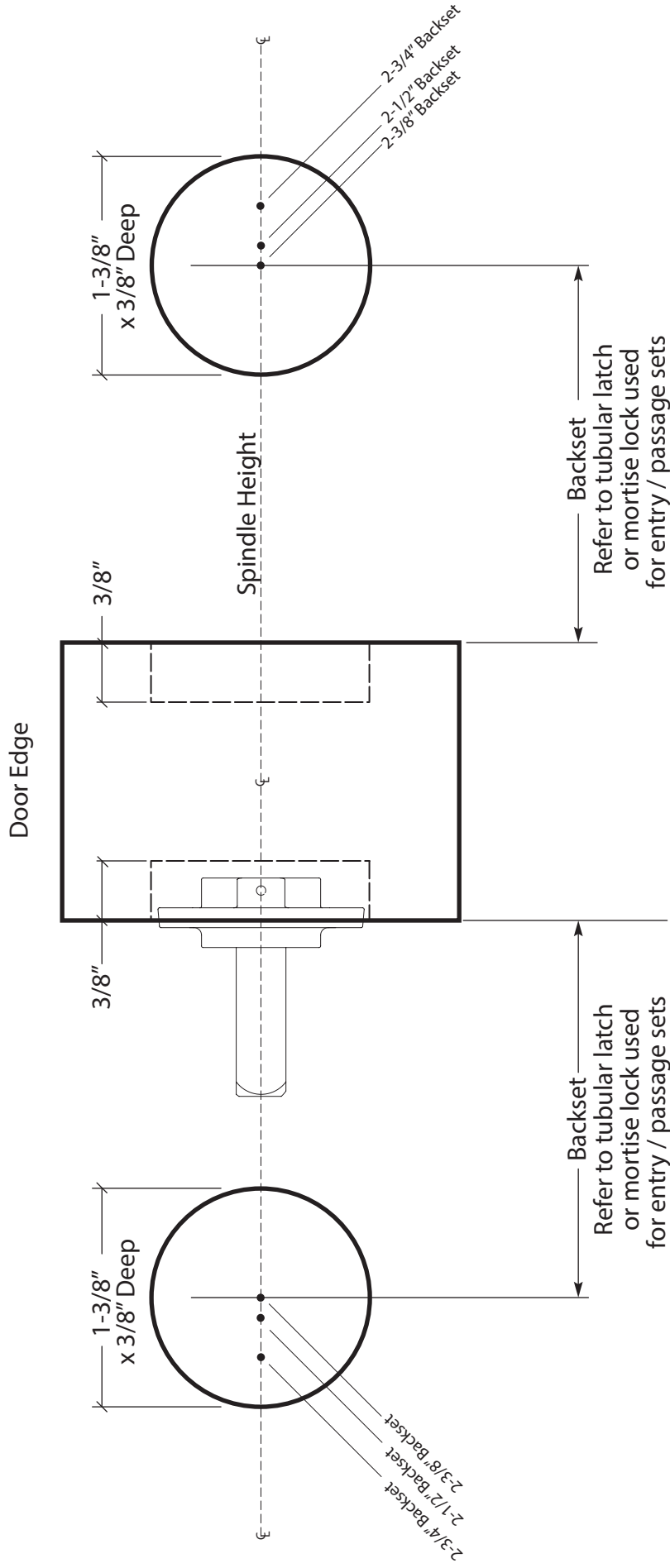
### PRE-BORED DOOR

Installation of dummy sets on pre-bored doors is possible, but plates must be wider than the 2-1/8" bore holes.

An optional dummy face plate may be installed on the door edge. This part must be ordered separately.



(Figure 5)



Prepare half dummy on one side of door only

**WS40024**  
**Half & Full Dummy Template**  
**Escutcheons**  
**2-3/8" & 2-3/4" Backsets**