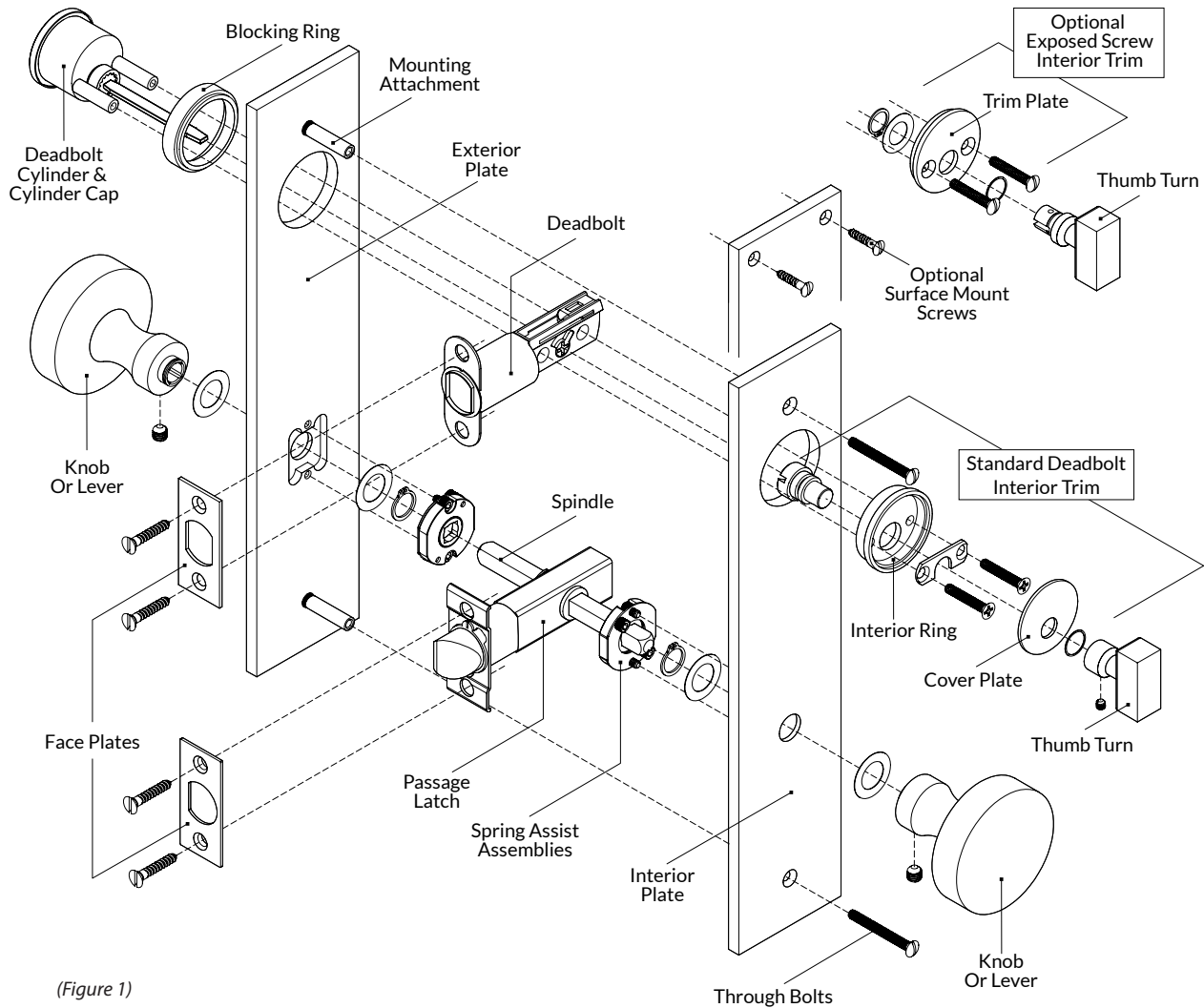




WATER STREET

JAMESTOWN NEW YORK

TE-EN / TE-PT - TUBULAR ESCUTCHEON LATCH X AUXILIARY DEADBOLT ENTRY SET / PATIO SET



(Figure 1)

ENTRY SET

A tubular escutcheon entry set consists of a passage latch coupled with an auxiliary deadbolt located above the latch.

- The exterior plate has a knob or lever with a deadbolt key cylinder and mounting attachments.
- The interior plate has a knob or lever, deadbolt trim with a thumb turn, and exposed through bolts.

There is an optional exposed screw trim plate.

PATIO SET

A tubular escutcheon patio set consists of a passage latch coupled with an auxiliary deadbolt located above the latch.

- The exterior plate has a knob or lever, with mounting attachments. There is no key access to the deadbolt from the outside.
- The interior plate has a knob or lever, with a thumb turn attached directly to the plate, and exposed through bolts.



WATER STREET
JAMESTOWN NEW YORK

TE-EN / TE-PT - TUBULAR ESCUTCHEON LATCH X AUXILIARY DEADBOLT ENTRY SET / PATIO SET

PREPARE DOOR

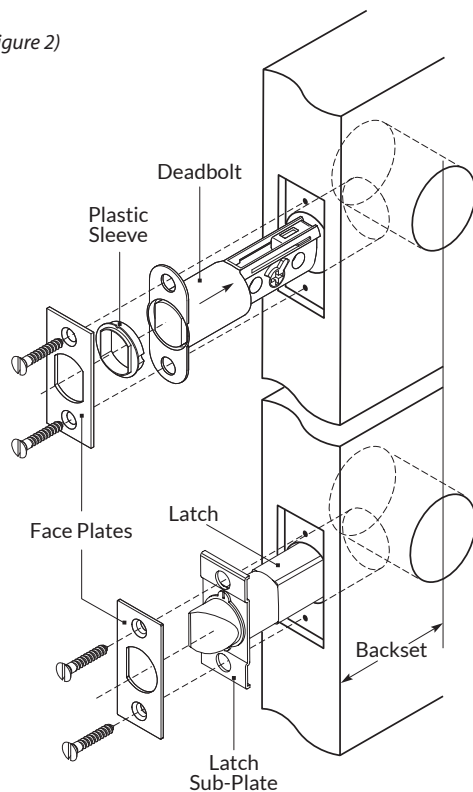
1. Prepare the door according to the template provided. If surface mount screws are to be used, mark the hole locations to drill pilot holes.
2. Use the face plates to mark the screw locations on the edge of the door, then drill the pilot holes for the screws. (Figure 2)

INSTALL THE LATCH & DEADBOLT

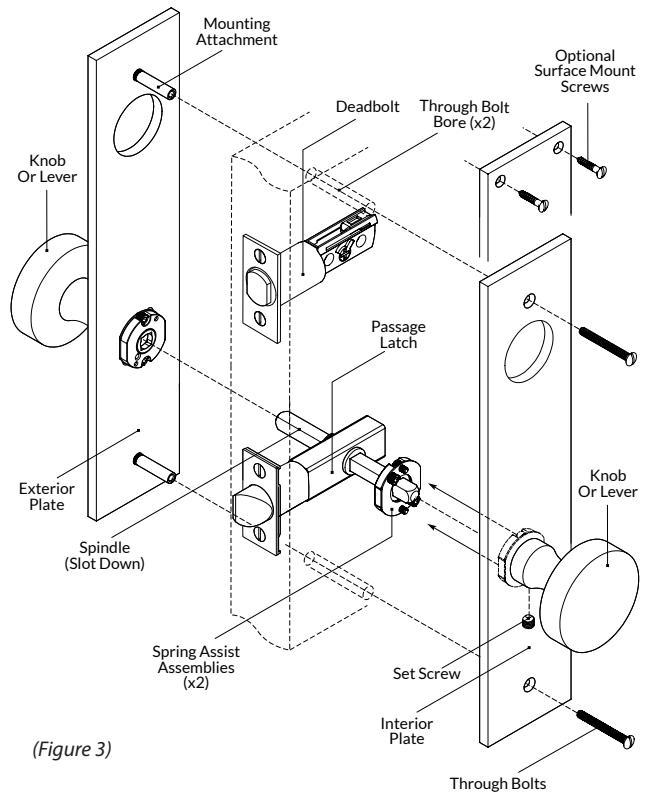
3. Install the passage latch sub-plate onto the latch. Rotate the latch bolt to the desired direction based on handing, then insert the assembly into the door. (Figure 2)
4. Install the latch face plate and secure with the face plate screws.
5. Next, install the deadbolt, plastic sleeve and deadbolt face plate with the screws provided.

Do not over tighten the screws on either face plate or binding may occur.

(Figure 2)



9. With both plates in position on the door, secure them together by inserting the through bolts and tightening, or by installing the surface mount screws. (Figure 3)
10. Test the function of the latch. If binding occurs, loosen the latch face plate screws slightly until smooth operation is achieved.
11. Secure the knobs or levers to the spindle by firmly tightening the set screws.



(Figure 3)

INSTALL THE ESCUTCHEON PLATES

6. Center the spindle within the latch body. The set screw slots should be on the bottom, facing the floor.
7. Fit the exterior plate spring assist unit and knob or lever onto the spindle. Position the plate assembly on the door by inserting the mounting attachments through the holes drilled for them.
8. Repeat the process with the interior plate assembly by sliding the spring assist unit and knob or lever onto the spindle.



WATER STREET

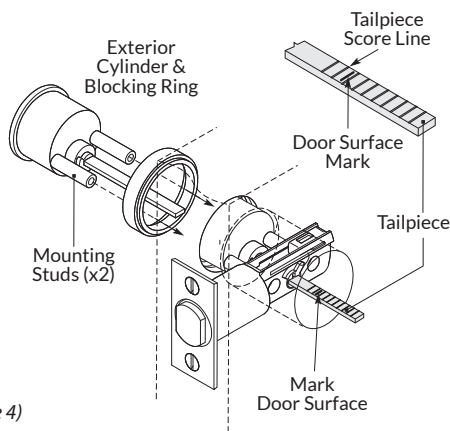
JAMESTOWN NEW YORK

TE-EN / TE-PT - TUBULAR ESCUTCHEON LATCH X AUXILIARY DEADBOLT ENTRY SET / PATIO SET

DEADBOLT CYLINDER PREPARATION

12. Fit the deadbolt cylinder and blocking ring on the exterior escutcheon, sliding the tailpiece through the deadbolt hub. The mounting hubs on the cylinder will pass through the deadbolt body. With this assembly in place, mark the length of the tailpiece at the point it reaches the interior face of the door.

13. Find the tailpiece score line to the inside of the door surface mark and cut the tailpiece at that line. You may need to further trim this tailpiece so that it fits into the thumb turn actuator without binding. (Figure 4)



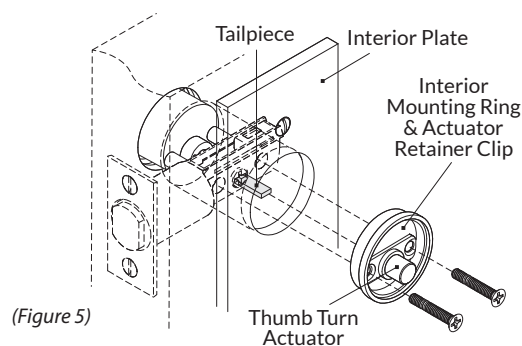
(Figure 4)

STANDARD INTERIOR TRIM

Note: The interior mounting plate assembly is typically shipped assembled. You may need to disassemble the thumb turn and face plate prior to installation. Simply loosen the thumb turn set screw and slide off the actuator. Do not disassemble the retaining clip from the actuator.

14. Position the interior mounting ring assembly into the interior plate. Make sure the thumb turn actuator is oriented with the tailpiece slot horizontal and the set screw dimple facing downward. The tailpiece must fit in the slot.

15. Secure this assembly to the deadbolt cylinder mounting studs using the two machine screws provided. (Figure 5)



(Figure 5)

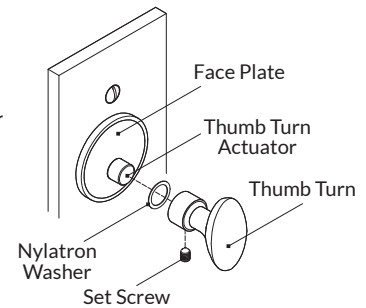
TEST THE DEADBOLT FUNCTION

Test for free movement of the thumb turn actuator. If the activator seems tight, the tailpiece stem may need to be trimmed down to relieve binding.

Insert the key in the cylinder and test the operation. If the key cannot be removed when in the locked position, remove the cylinder and flip the tailpiece 180°. Replace the cylinder and test again.

FINISH INSTALLATION

16. Position the face plate into the mounting ring assembly. Slide the nylatron washer and the thumb turn over the thumb turn actuator stem, then secure with the set screw. (Figure 6)

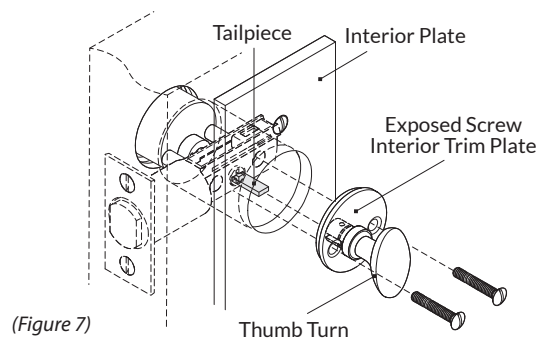


(Figure 6)

EXPOSED SCREW INTERIOR TRIM

14. Position the trim plate assembly into the interior plate. Orient the slot in the thumbpiece horizontally so that the tailpiece fits.

15. Secure this assembly to the deadbolt cylinder mounting studs using the two machine screws provided. (Figure 7)



(Figure 7)



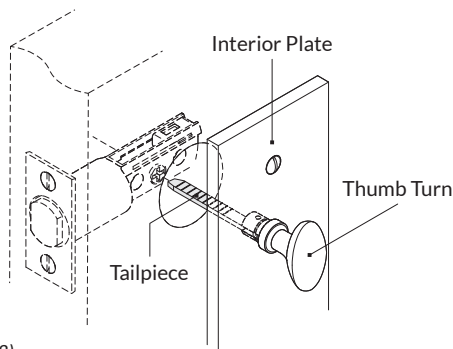
WATER STREET
JAMESTOWN NEW YORK

TE-EN / TE-PT - TUBULAR ESCUTCHEON LATCH X AUXILIARY DEADBOLT ENTRY SET / PATIO SET

PATIO INTERIOR TRIM

The patio trim is attached directly to the interior escutcheon plate.

Refer to step 8. Install the interior plate assembly by sliding the spring assist unit and knob or lever onto the spindle. Orient the tailpiece on the thumbpiece horizontally so that the tailpiece fits into the deadbolt hub. (Figure 8)



(Figure 8)

Test the fit, then trim the tailpiece so that it does not hit the exterior plate.

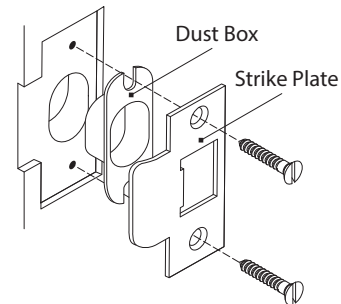
Complete the installation by installing the through bolts or surface mount screws. (Figure 3)

DOOR JAMB - LATCH STRIKE

16. Measure the jamb to determine the location the latch bolt strikes when the door is fully closed. Using the strike plate templates provided, prepare the door jamb to accept the dust boxes and strike plates.

Note: Determine if the latch strike plate is a full lip or T-strike, and the handing required. Mortise the jamb accordingly.

17. Install the dust box and face plate with the screws provided. Make sure the face plate sits flush with the jamb surface; deepen the cavities as needed. After installation, if the latch does not fully engage with the strike, loosen the screws and adjust. (Figure 9)



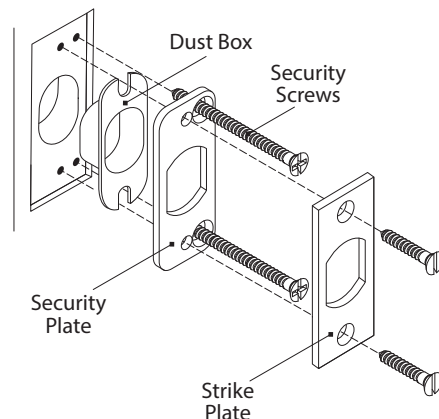
(Figure 9)

DOOR JAMB - DEADBOLT STRIKE

18. Measure the jamb to determine the location the deadbolt strikes when the door is fully closed. Using the strike plate template provided, prepare the door jamb to accept the dust box, security plate, and the strike plate.

19. Begin the installation by inserting the dust box and the security plate in the door cavity. Secure by firmly installing the two security screws into the door jamb.

20. Finish the installation by attaching the strike plate as shown. (Figure 10)



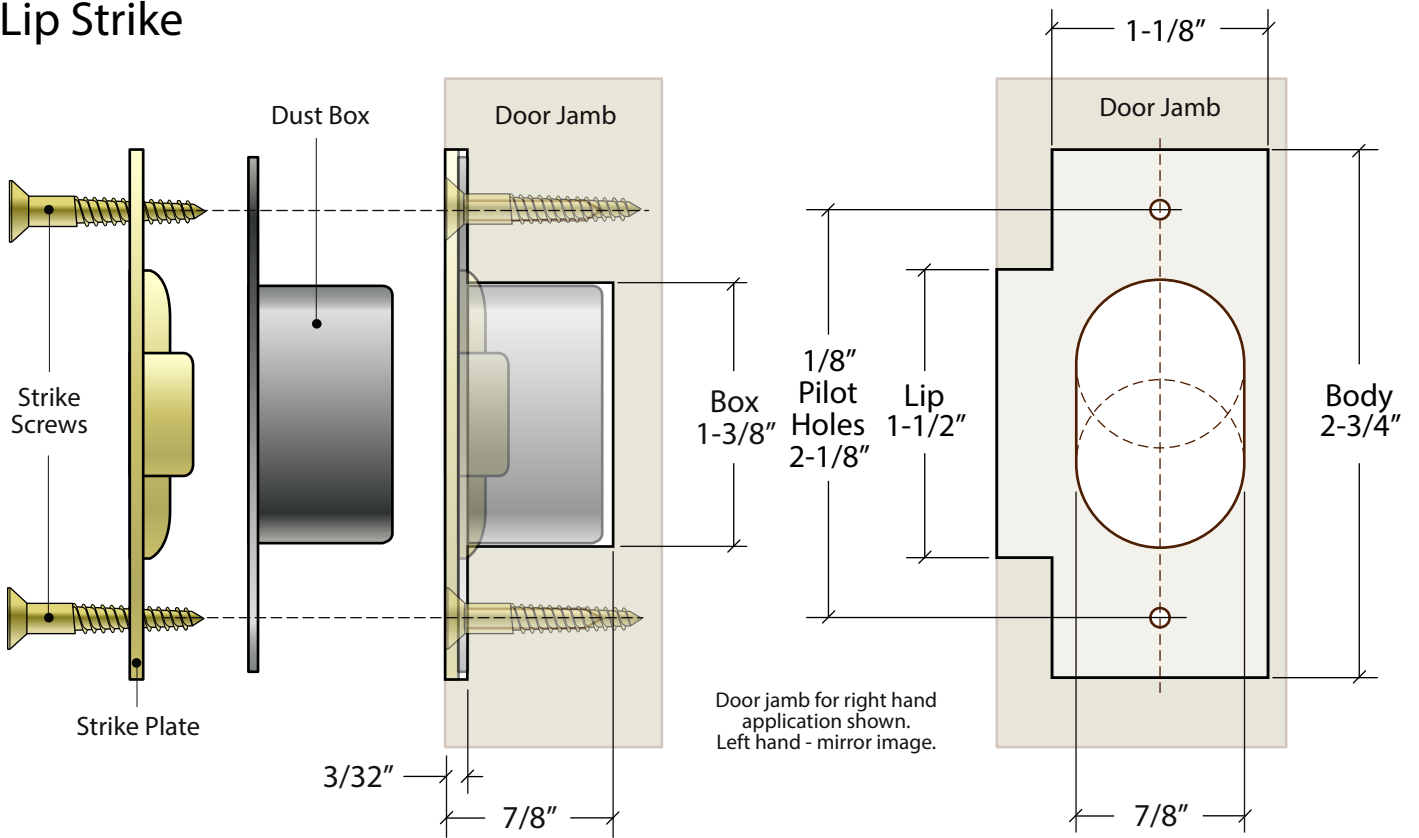
(Figure 10)

After installation, if the bolt does not fully engage with the strike, loosen the screws and adjust.

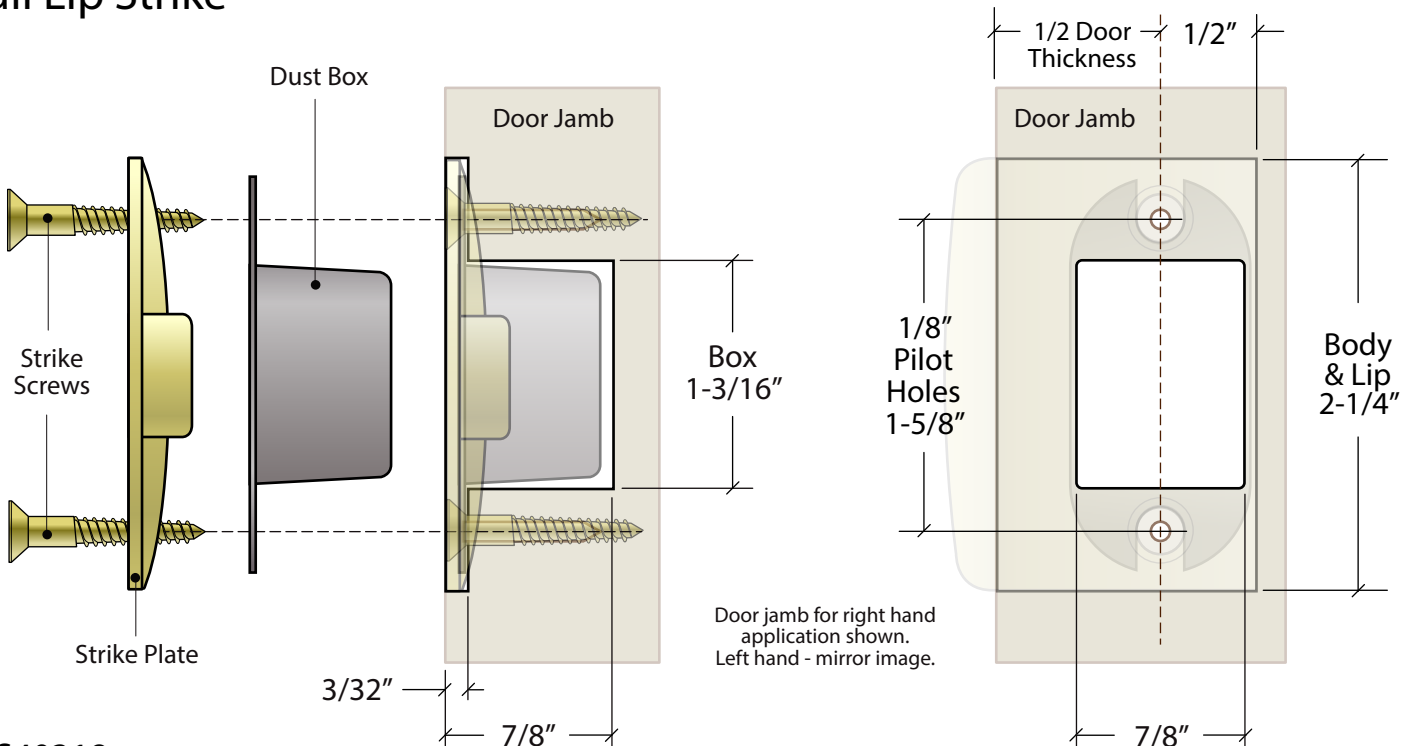


WATER STREET

T-Lip Strike



Full Lip Strike



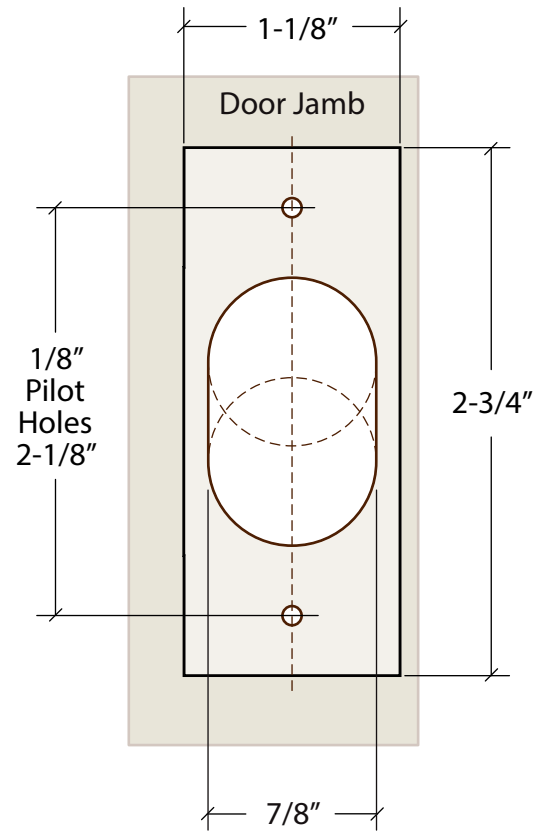
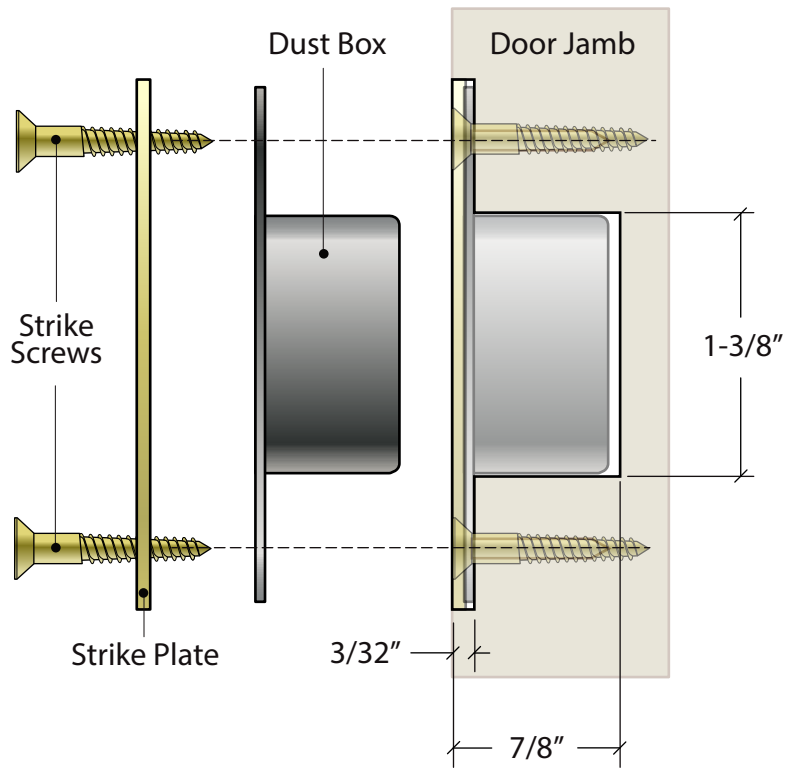
WS40318
Tubular Strike Templates

Proprietary And Confidential
© WSB Hardware, Inc. 2022

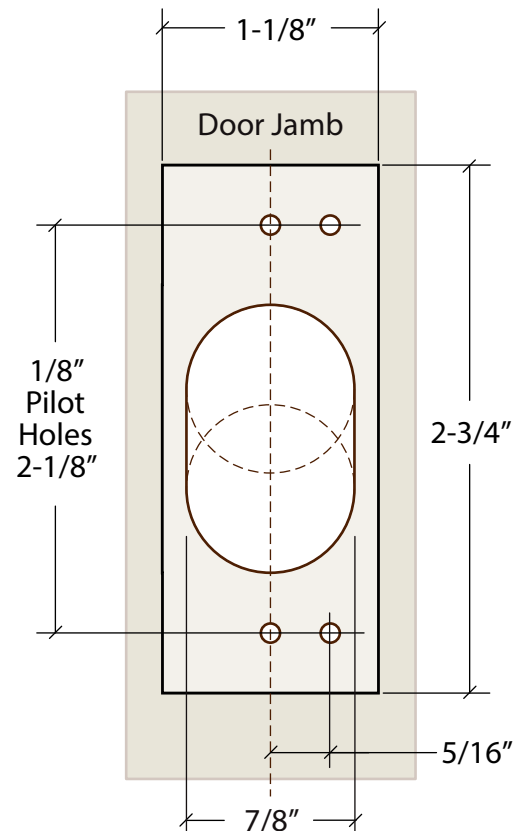
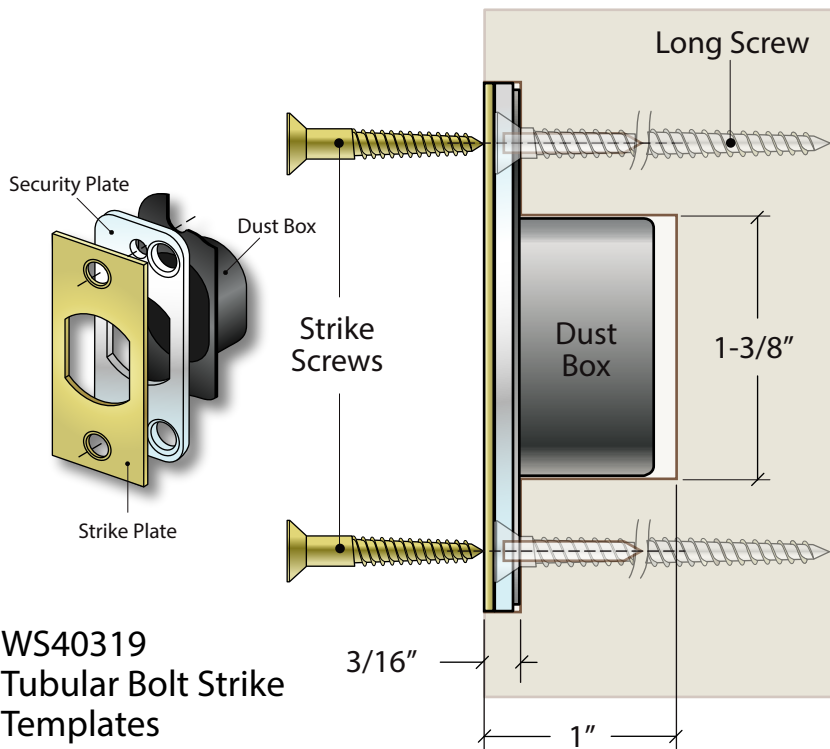


WATER STREET

Mortise Bolt Strike



Auxiliary Deadbolt Strike

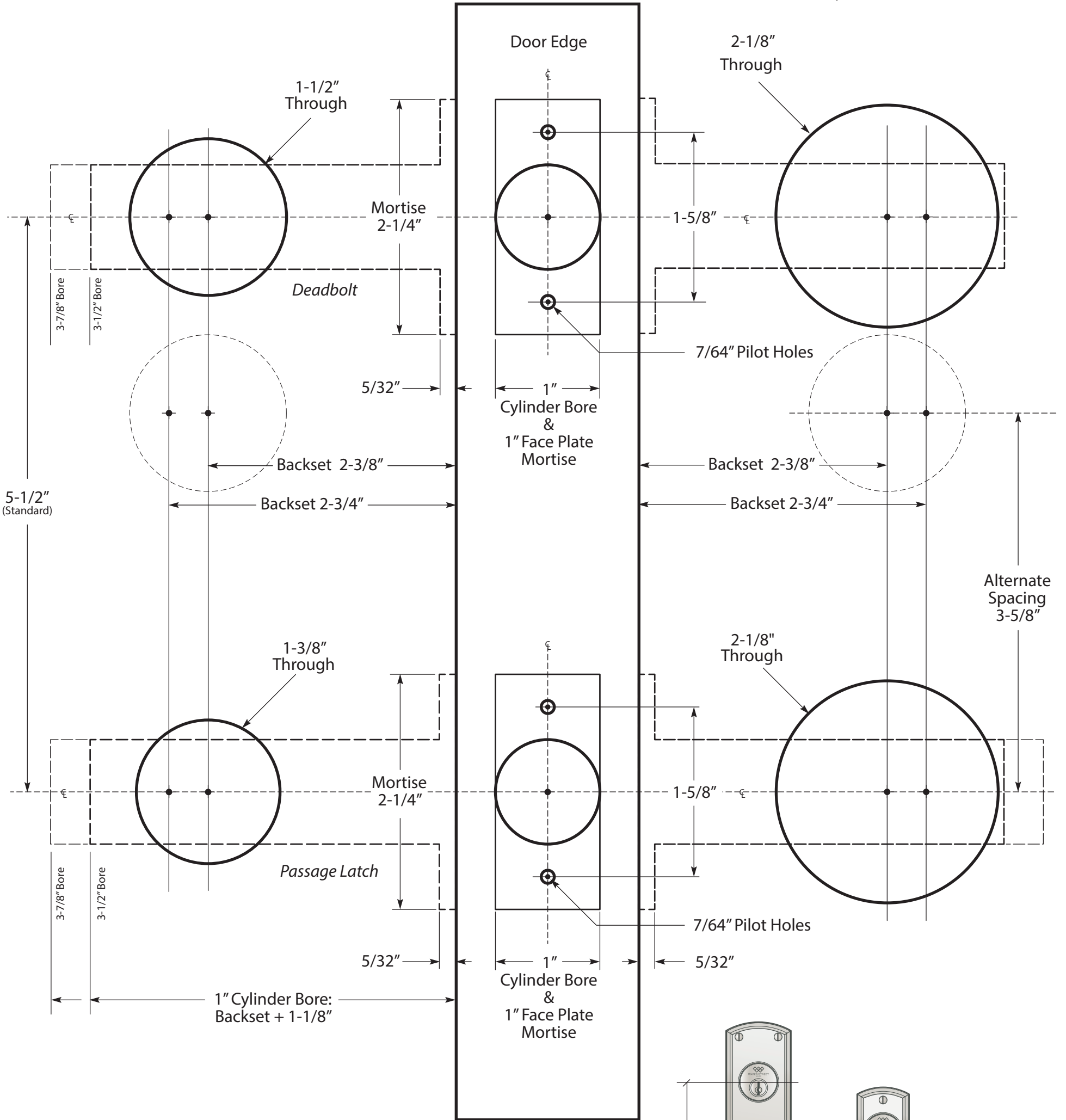


WS40319
Tubular Bolt Strike
Templates

WSB Standard:
All Tubular Escutcheons

Center Tubular
Lock or Latch in the door

Pre-Drilled Standard:
Minimum 2-1/2" Wide Escutcheons



Tubular Latch x Auxiliary
Deadbolt

Confirm center to center spacing.
5-1/2" - Industry standard latch to auxiliary deadbolt spacing
3-5/8" - Alternate spacing used with smaller escutcheon plates.
3" - Minimum recommended spacing.