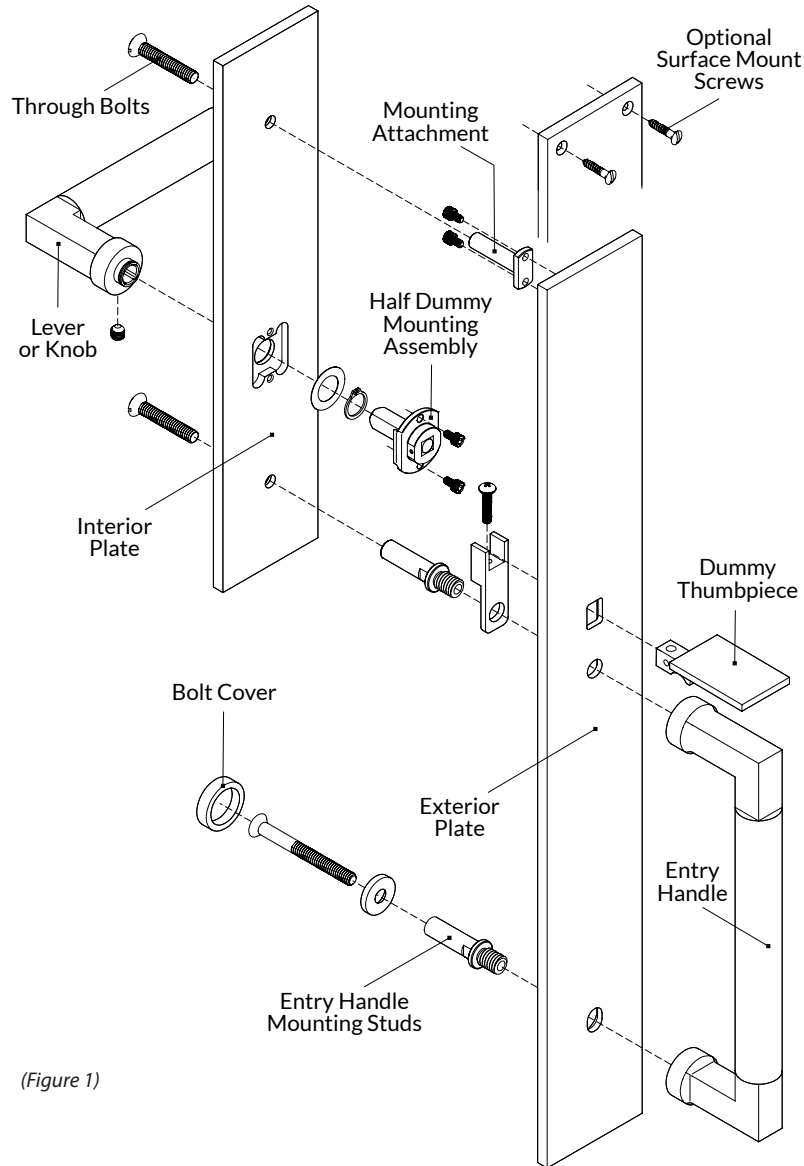




WATER STREET

JAMESTOWN NEW YORK

MTKL-FD - MORTISE / TTKL-FD - TUBULAR ENTRY HANDLE FULL DUMMY SET



(Figure 1)

FULL DUMMY SET

A mortise or tubular escutcheon entry handle set features fixed thumb piece exterior by a fixed lever or knob interior. The sets are the same regardless of the lock configuration.

- The exterior plate has an entry handle, a fixed thumbpiece, and two entry handle mounting studs.
- A TTKL-FD exterior plate may have a female sex bolt in place of the mounting attachment shown above.
- The interior plate has a fixed knob or lever, with exposed through bolts.
- The interior of the door will also include a bolt cover with mounting plate and through bolt.
- Optional exposed screw trim is available.

STRIKE OPTION

In some instances, the dummy set is used on the fixed leaf of a double door set. The dummy door may include a strike plate for the active door lock. Installation is covered in the active door instructions.



WATER STREET.
JAMESTOWN NEW YORK

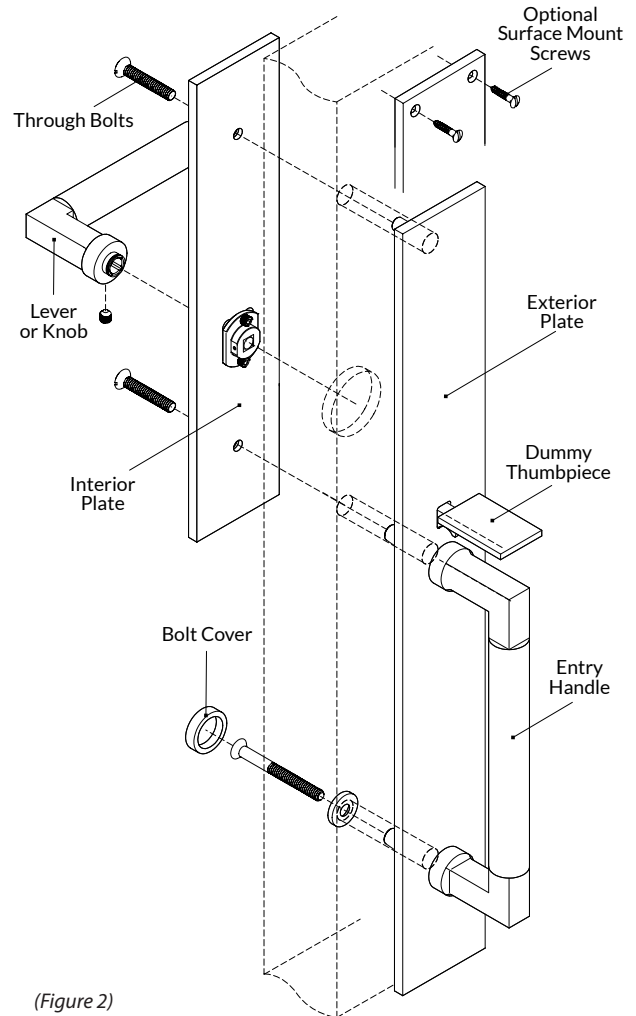
MTKL-FD - MORTISE / TTKL-FD - TUBULAR ENTRY HANDLE FULL DUMMY SET

PREPARE DOOR

1. Prepare the door according to the template provided.

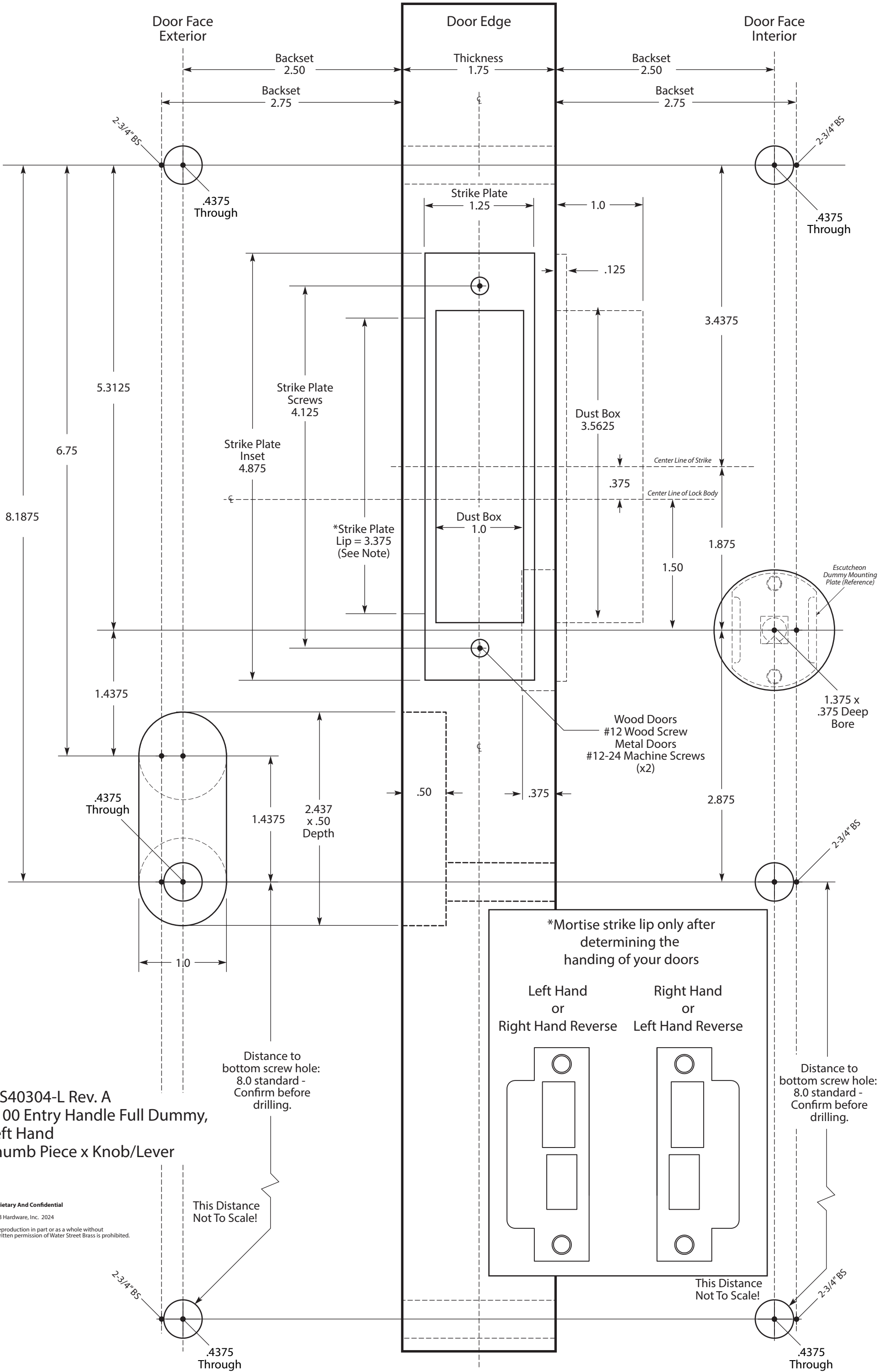
INSTALL THE ESCUTCHEON PLATES

2. Fit the exterior plate onto the door surface, passing the entry handle mounting studs through the bore holes.
3. Next, position the interior plate on the door and loosely install the upper two through bolts so that they engage with the exterior plate mounting studs. *(Figure 2)*
4. Make sure both plates are square and parallel to the door edge, then tighten through bolts. Adjust as needed.
If surface mount screws are to be used, mark the screw hole locations and drill pilot holes prior to installing the screws.
5. Place the lower through bolt into the bolt cover mounting plate, then install into the lower entry handle mounting stud. Install the bolt cover onto its mounting plate and hand tighten.
6. Slide the interior knob or lever onto the dummy spindle until fully seated. Secure by firmly tightening the set screw with an Allen wrench.



(Figure 2)

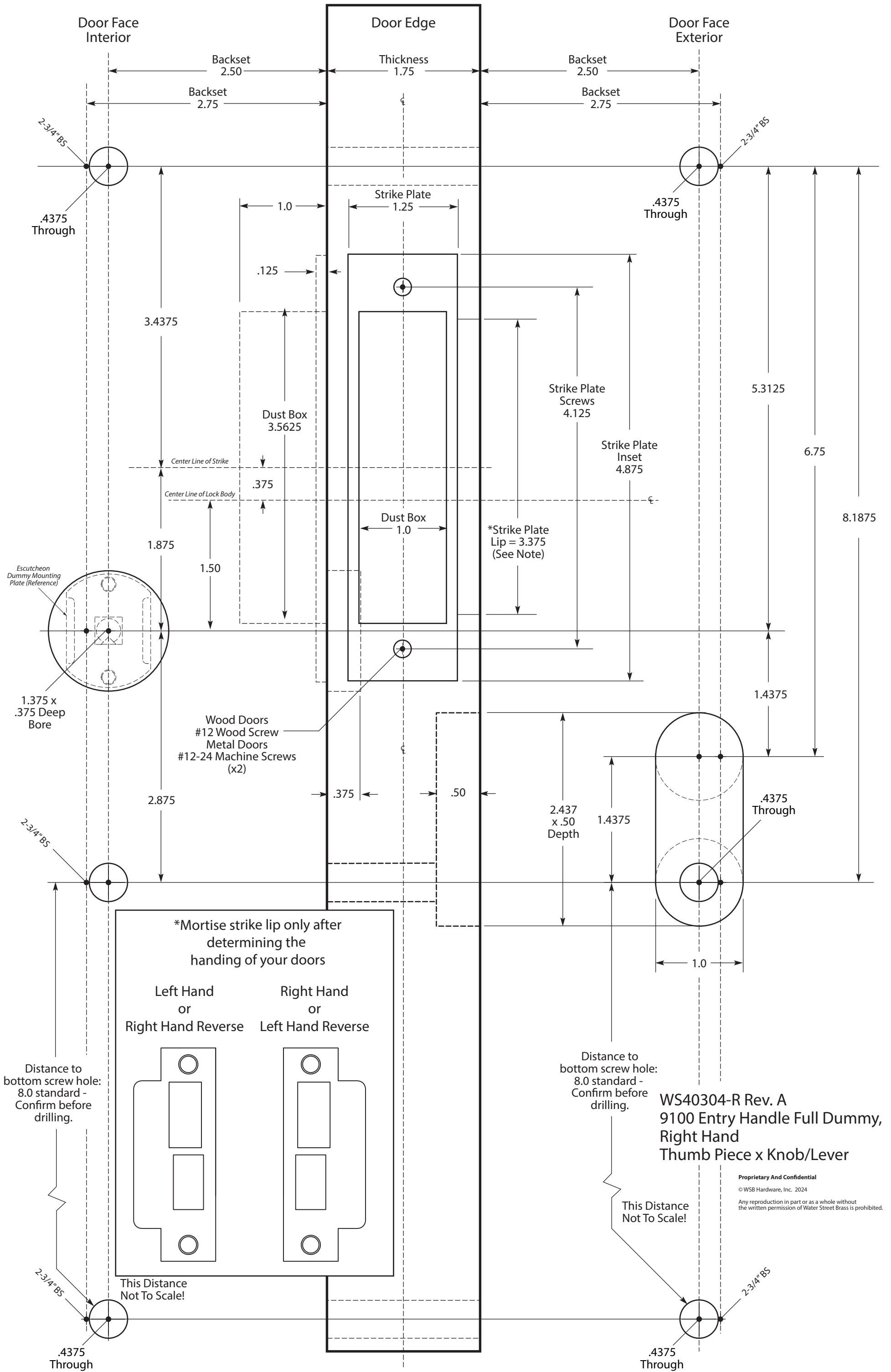
Center the lock body
in the door



WS40304-L Rev. A
9100 Entry Handle Full Dummy,
Left Hand
Thumb Piece x Knob/Lever

Proprietary And Confidential
© WSB Hardware, Inc. 2024
Any reproduction in part or as a whole without
the written permission of Water Street Brass is prohibited.

Center the lock body in the door



WS40304-R Rev. A
9100 Entry Handle Full Dummy,
Right Hand
Thumb Piece x Knob/Lever

Proprietary And Confidential
© WSB Hardware, Inc. 2024
Any reproduction in part or as a whole without the written permission of Water Street Brass is prohibited.