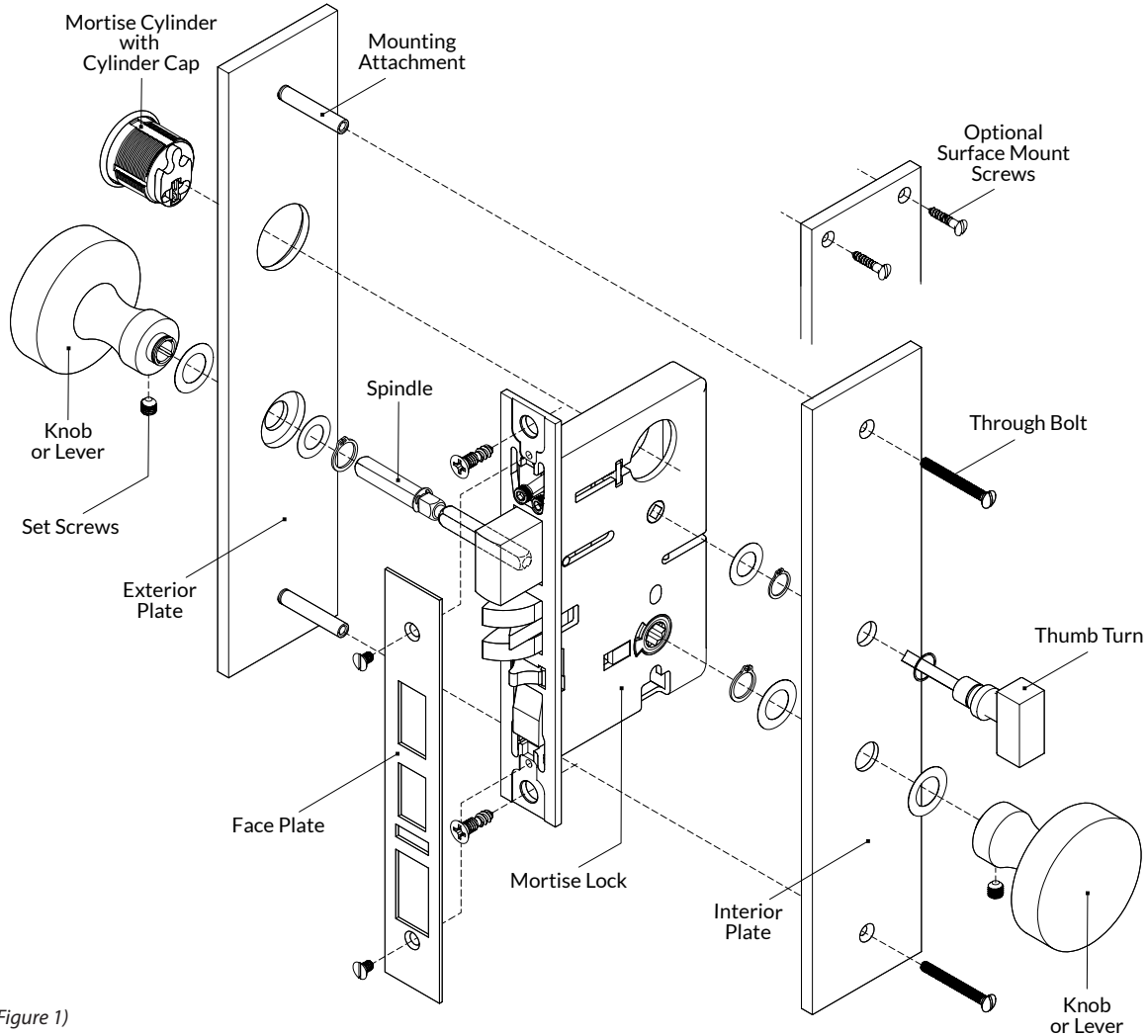




ME-EN - MORTISE ESCUTCHEON ENTRY SETS



(Figure 1)

Mortise locks can be ordered with a wide range of features. They may be electronically operated or feature magnetic latching mechanisms. Various sized plates may be used. Regardless of the plate size or function chosen, the basic installation covered in these instructions remains the same.

ENTRY SET

Mortise escutcheon entry sets feature a mortise lock and latch operated by a knob or lever on the either side of the door.

- The exterior plate has a door knob or lever, with entry mounting attachments and a mortise cylinder.
- The interior plate has a door knob or lever, with exposed through bolts, and includes a thumb turn or a lock cylinder.

STOREROOM SET

A storeroom lock set features a fixed knob or lever on the exterior side of the door and a key cylinder. The door can only be opened with the use of a key.

These sets cannot be locked from the interior side of the door, so no thumb turn is necessary. The door can always be opened from the interior by the use of the knob or lever.

- The exterior plate has a fixed door knob or lever, with entry mounting attachments and a mortise cylinder.
- The interior plate has an active door knob or lever, with a exposed through bolts.

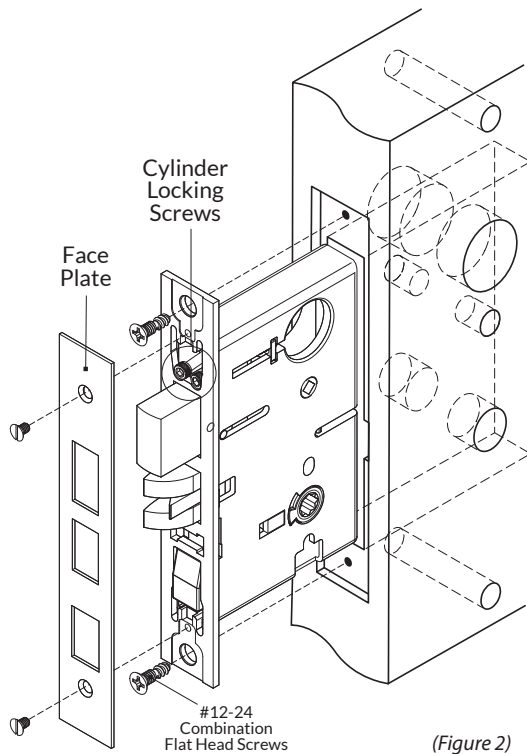


ME-EN - MORTISE ESCUTCHEON ENTRY SETS

ENTRY PATIO SET

Mortise escutcheon entry sets feature a mortise lock and latch operated by a knob or lever on the either side of the door. The door can be locked from the interior with a thumb turn.

- The exterior plate has a door knob or lever, with entry mounting attachments.
- The interior plate has a door knob or lever, with a exposed through bolts, and a thumb turn.



(Figure 2)

PREPARE DOOR

1. Prepare the door according to the template provided. If optional surface mount screws are to be used, use the escutcheon plates to mark the hole locations to drill pilot holes.

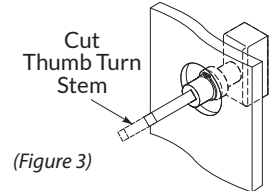
INSTALL THE MORTISE LOCK

2. Insert the mortise lock body into the cavity and mark the lock screw locations. Drill pilot holes for the screws, then install the lock using the screws provided. Metal doors require two #12-24 tapped holes for the combination screws. (Figure 2)

Do not install the lock face plate at this time.

MEASURE AND CUT STEM

3. Measure the thumb turn stem on the interior plate. Cut the length so it extends at least halfway through the lock body when installed. (Figure 3)



(Figure 3)

INSTALL SPINDLE

4. From the exterior side of the door, slide the spindle into the lock hub, centering in the lock body. A swivel spindle will include a stop ring to assure proper positioning. Make sure the set screw slot is on the bottom, facing the floor. (Figure 1)

MORTISE LOCK STRIKE PLATE

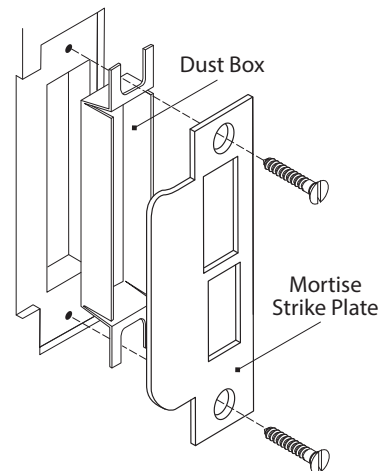
Installation of the strike plate can wait until the end of the project, but preparing the door jamb at this time may be convenient.

Depending on the lock model, function, and handing, the strike plate and dust box may appear differently than shown.

5. Measure the jamb to determine the location the latch bolt strikes when the door is fully closed. Using the strike plate template provided, prepare the door jamb to accept the dust box and strike plate.

Note: Determine the handing required. Mortise the jamb accordingly.

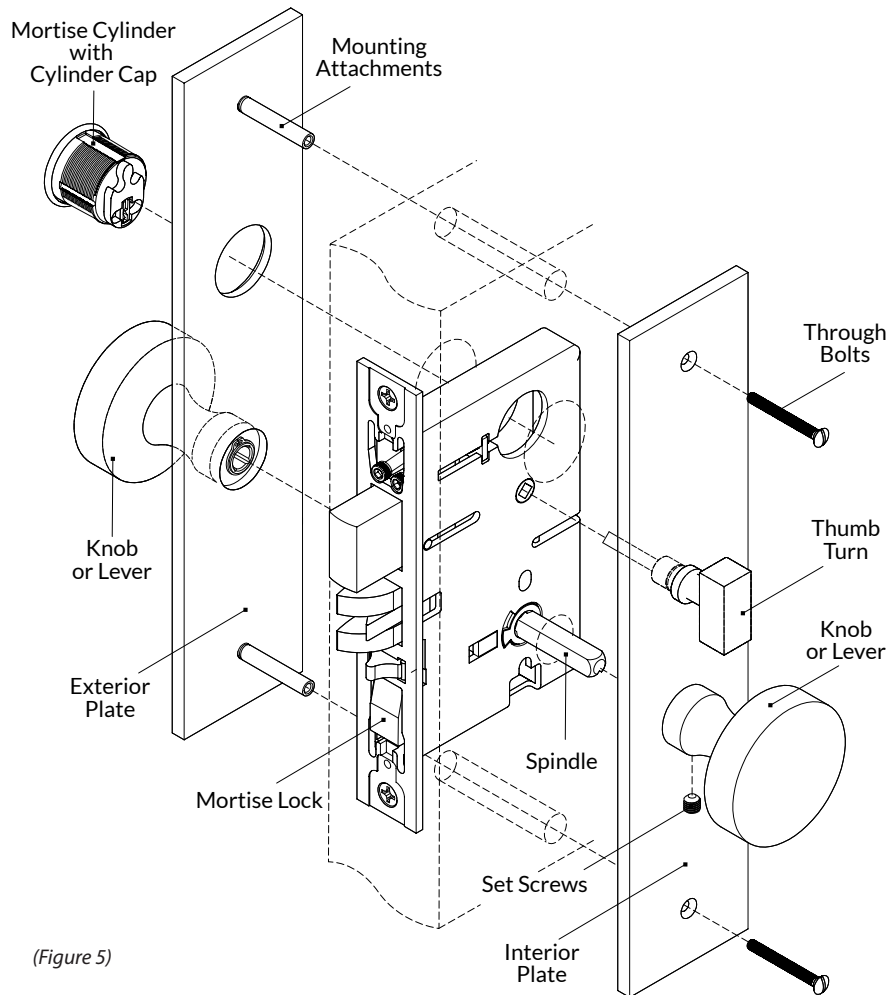
6. Install the dust box and face plate with the screws provided. Make sure the face plate sits flush with the jamb surface; deepen the cavities as needed. After installation, if the latch does not fully engage with the strike, loosen the screws and adjust. (Figure 4)



(Figure 4)



ME-EN - MORTISE ESCUTCHEON ENTRY SETS



(Figure 5)

INSTALL THE HARDWARE

7. Fit the exterior plate onto the door surface, passing the mounting studs through the bore holes and sliding the exterior door knob or lever onto the spindle. (Figure 5)

8. To help locate this plate on the door, thread the mortise cylinder into the lock body until it is fully seated in the plate and properly oriented. A cylinder blocking ring may be required.

9. Next, position the interior plate on the door. Slide the knob or lever onto the spindle and the thumb turn stem into the lock.

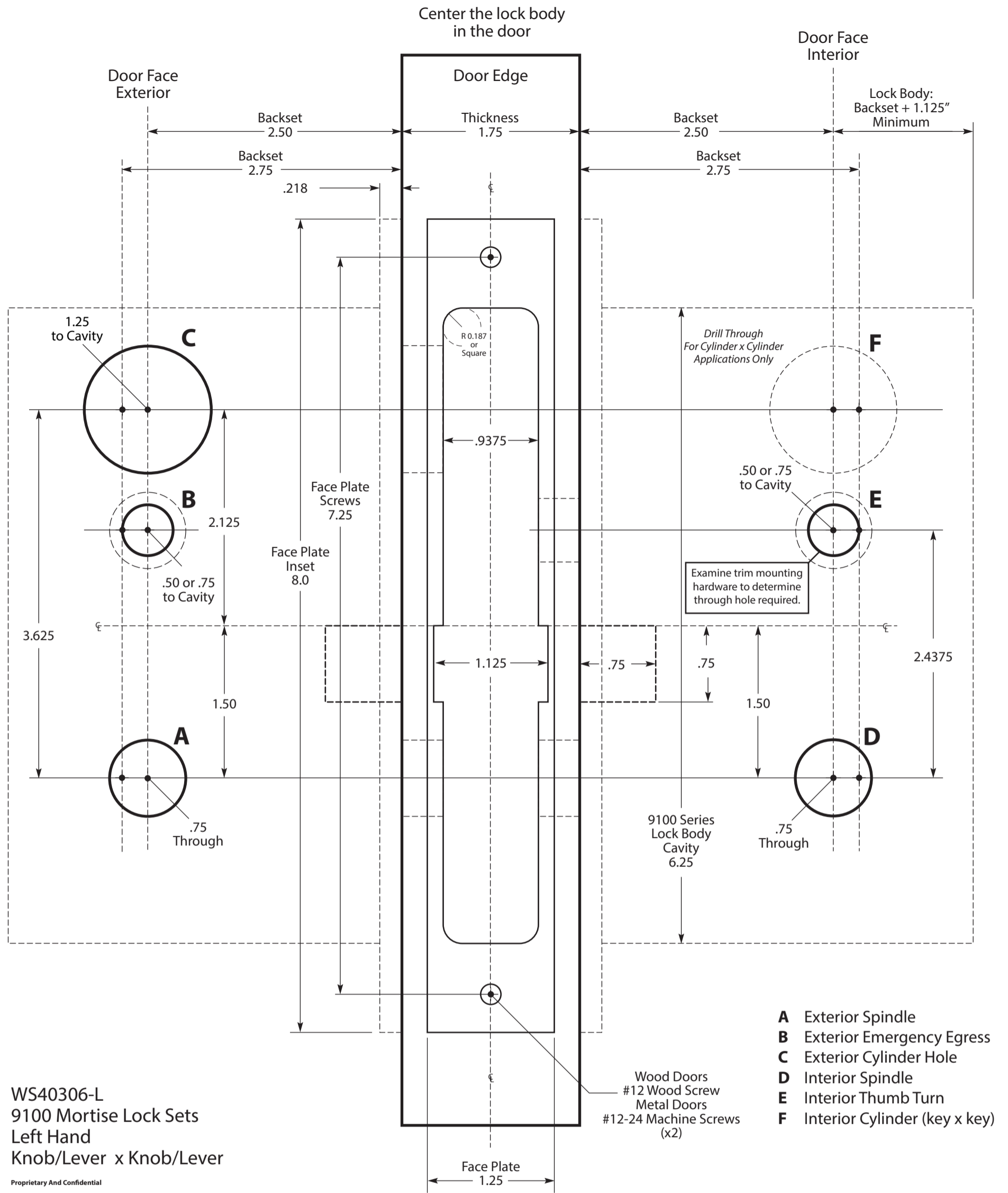
10. Loosely install the two through bolts so that they engage with the exterior plate mounting attachments. Make sure both plates are square and parallel to the door edge, and adjust as needed. Tighten through bolts.

If surface mount screws are to be used, now is when you should mark the screw hole locations and drill pilot holes. Install the screws.

11. Test the function of the key in the cylinder. When satisfied with the operation of the lock, tighten the cylinder locking screw. (Figure 2)

12. Secure the knobs or levers onto the spindle by firmly tightening the set screws with an Allen wrench. (Figure 5)

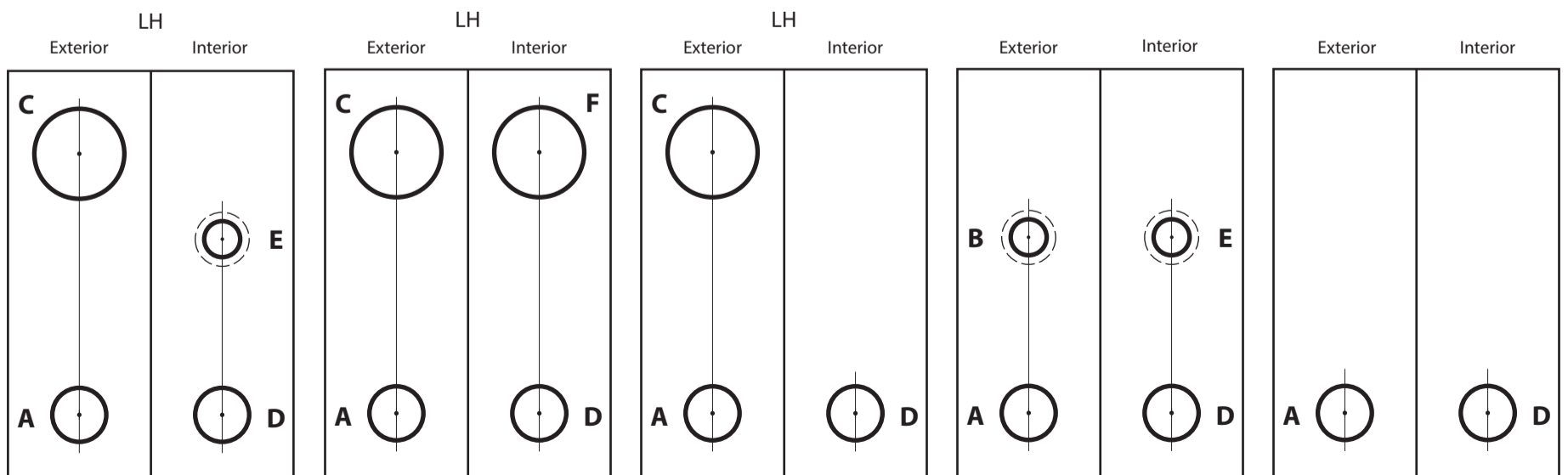
13. Install the lock face plate at this time. (Figure 2)



WS40306-L
9100 Mortise Lock Sets
Left Hand
Knob/Lever x Knob/Lever

Proprietary And Confidential
 © WSB Hardware, Inc. 2019
 Any reproduction in part or as a whole without the written permission of Water Street Brass is prohibited.

Lock Functions



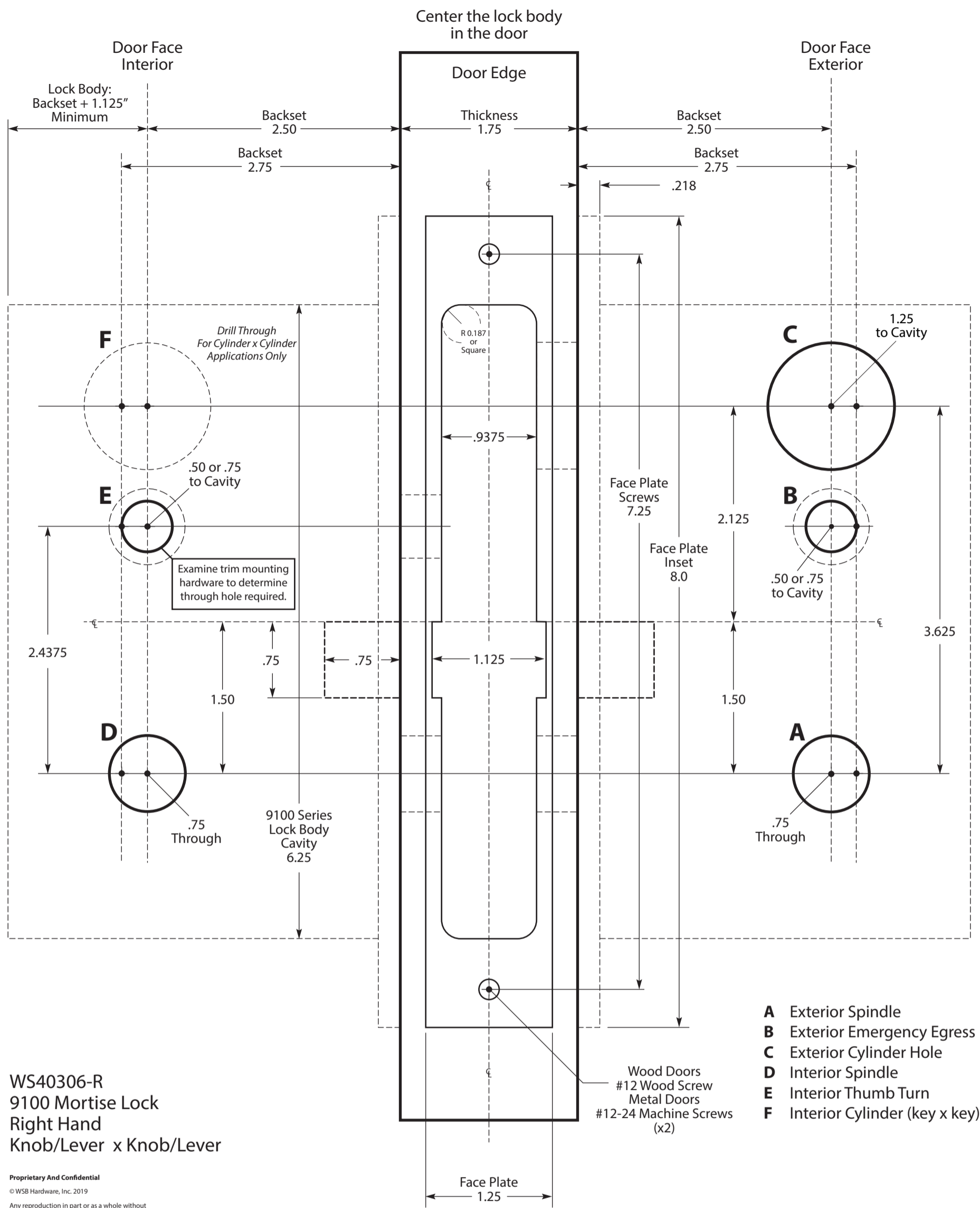
Lock Functions: Entry, Apartment, Office, Hotel
 9124, 9134, 9143, 9144, 9148, 9149, 9153, 9167, 9169

Lock Functions: Entry (key x key) Store Door, Restroom, Classroom
 9122, 9142, 9145S, 9146, 9158, 9160

Lock Functions: Storeroom, Classroom, Office, Closet
 9124, 9145, 9156, 9159

Lock Functions: Privacy
 9124, 9139

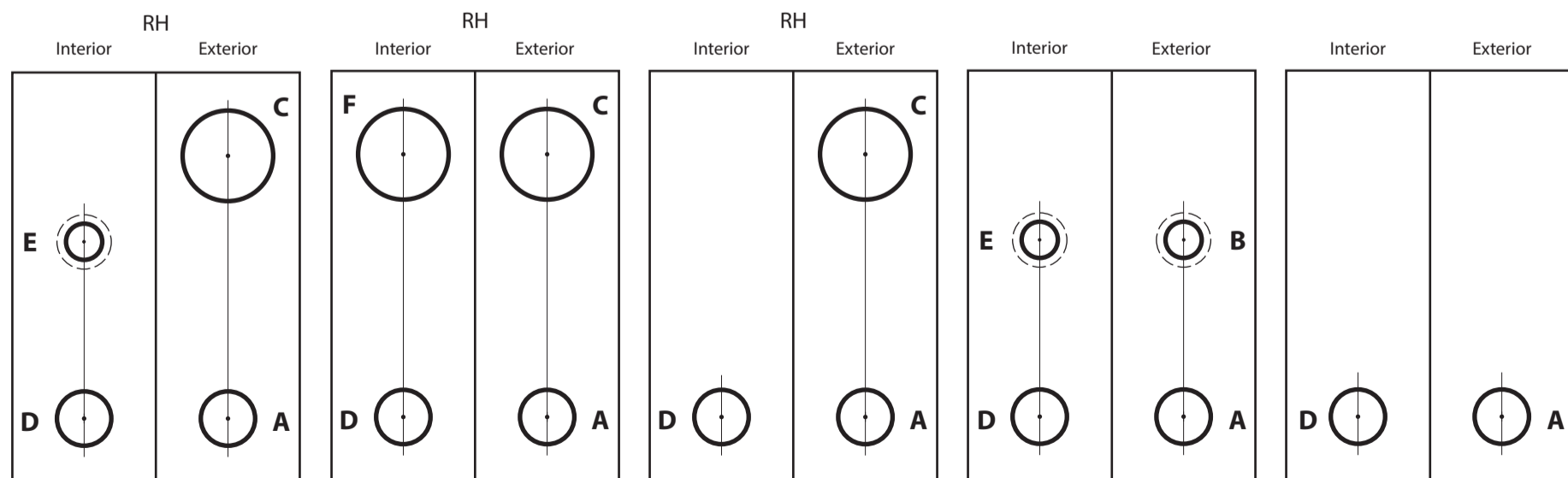
Lock Functions: Passage
 9124, 9125



WS40306-R
9100 Mortise Lock
Right Hand
Knob/Lever x Knob/Lever

Proprietary And Confidential
 © WSB Hardware, Inc. 2019
 Any reproduction in part or as a whole without the written permission of Water Street Brass is prohibited.

Lock Functions



Lock Functions: Entry, Apartment, Office, Hotel
 9124, 9134, 9143, 9144, 9148, 9149, 9153, 9167, 9169

Lock Functions: Entry (key x key) Store Door, Restroom, Classroom
 9122, 9142, 91455, 9146, 9158, 9160

Lock Functions: Storeroom, Classroom, Office, Closet
 9124, 9145, 9156, 9159

Lock Functions: Privacy
 9124, 9139

Lock Functions: Passage
 9124, 9125