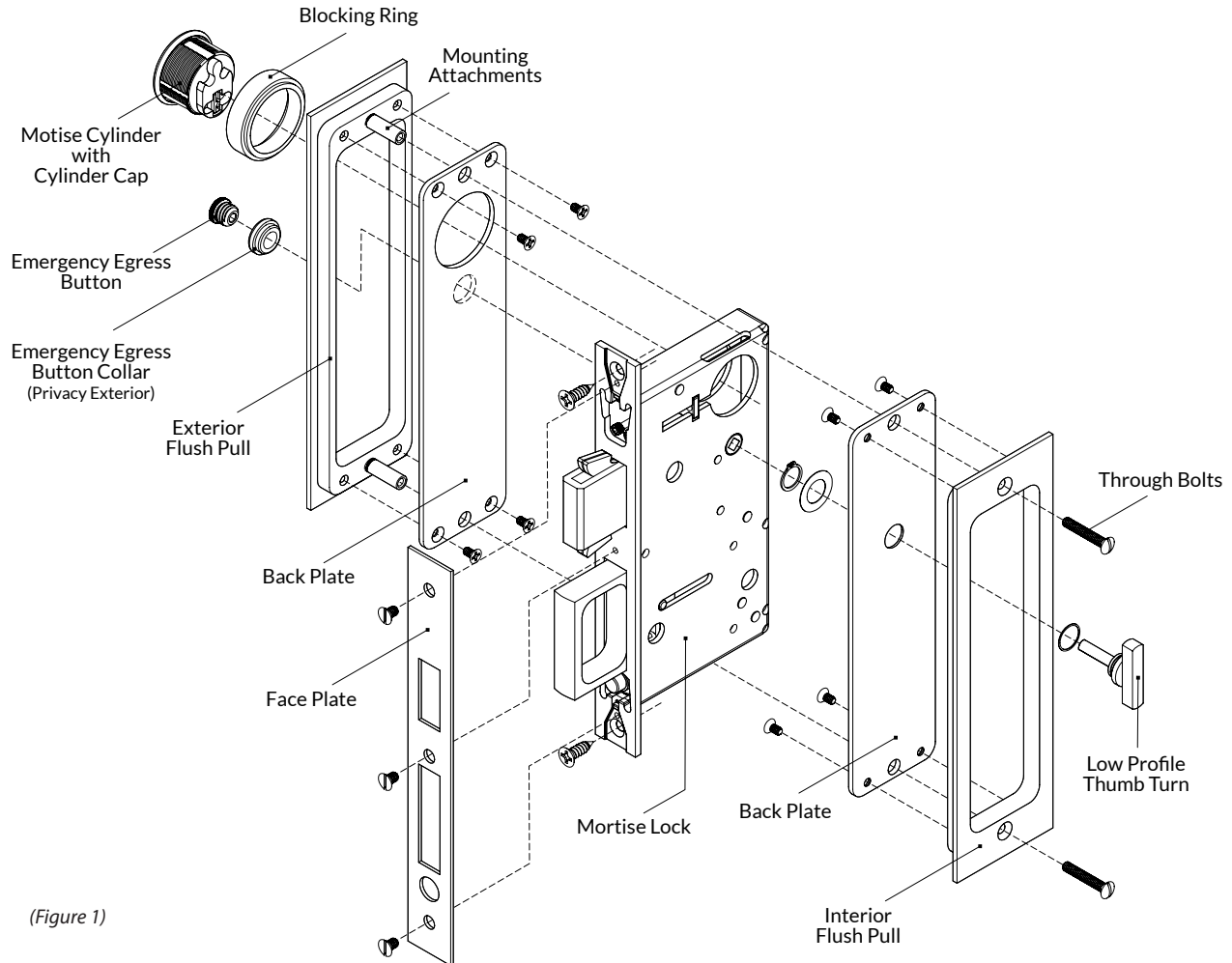




FP-EN FLUSH PULL ENTRY, PRIVACY & PATIO SETS



(Figure 1)

ENTRY SET

A flush pull entry set features a mortise lock operated by a mortise cylinder or a thumb turn.

- The exterior plate has two mounting attachments and a mortise key cylinder. The door can be locked or unlocked from the outside.
- The interior plate has two through bolts and thumb turn secured to the back plate. The door can be locked or unlocked from the inside.

PRIVACY SET

A flush pull privacy set features a mortise lock operated by a thumb turn.

- The exterior plate has two mounting attachments and an emergency egress button. The door can be accessed from the outside by use of an emergency release key.
- The interior plate has two through bolts and thumb turn secured to the back plate. The door can be locked or unlocked from the inside.

PATIO SET

A flush pull patio set features a mortise lock operated by a thumb turn.

- The exterior features a passage pull plate with two mounting attachments.
- The interior plate has two through bolts and thumb turn secured to the back plate. The door can be locked or unlocked from the inside.

PREPARE DOOR

1. Prepare the door according to the template provided. If optional surface mount screws are to be used, use the flush pull plates to mark the hole locations to drill pilot holes.

The 2002 mortise lock includes a button operated edge pull. A smaller 2001 mortise lock with no edge pull can be used.

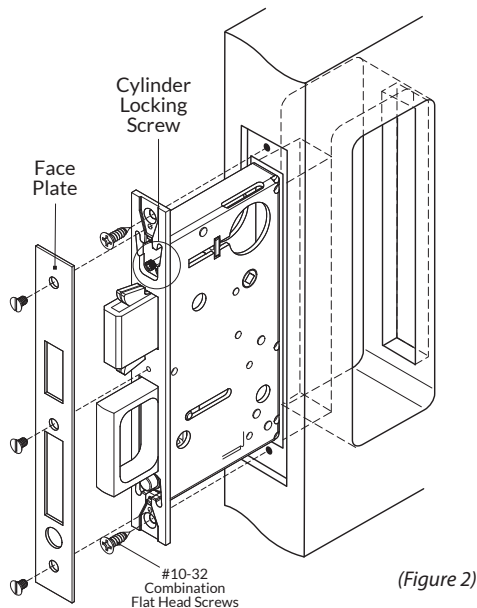


FP-EN FLUSH PULL ENTRY, PRIVACY & PATIO SETS

INSTALL THE MORTISE LOCK

2. Insert the mortise lock body into the cavity and mark the lock screw locations. Drill pilot holes for the screws, then install the lock using the screws provided. Metal doors require two #10-32 tapped holes for the combination screws. (Figure 2)

Do not install the lock face plate at this time.



(Figure 2)

ENTRY SET - INSTALL FLUSH PULLS

3. Position the exterior flush pull in the door cavity. To align the plate, position the mortise cylinder and blocking ring in place on the flush pull, then screw the mortise cylinder into the lock body until it is properly oriented and until fully seated. (Figure 3)

4. Position the interior flush pull in the door by sliding the thumb turn stem into the lock body hub. Screw the through bolts into exterior flush pull mounting attachments.

5. Test the function of both the lock cylinder and the thumb turn. If binding occurs, loosen the through bolts and adjust the position of the flush pulls until smooth operation is achieved on both sides of the door. Tighten the through bolts.

6. From the door edge, tighten the cylinder locking screw to hold the cylinder in place. (Figure 3)

PRIVACY / PATIO SET - INSTALL FLUSH PULLS

3. Position the exterior flush pull in the door cavity.

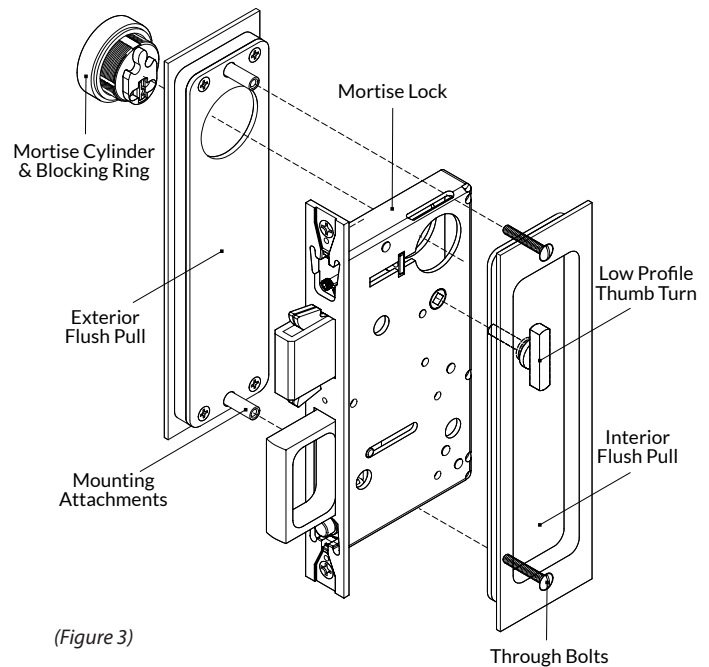
A privacy flush pull will include an emergency egress button and collar. No special installation is required. (Figure 1)

4. Position the interior flush pull in the door by sliding the thumb turn stem into the lock body hub. Screw the through bolts into exterior flush pull mounting attachments. (Figure 3)

5. Test the function of the thumb turn. If binding occurs, loosen the through bolts and adjust the position of the flush pulls until smooth operation is achieved. Tighten the through bolts.

COMPLETE INSTALLATION

7. Complete the installation by attaching the face plate to the lock body. (Figure 2)



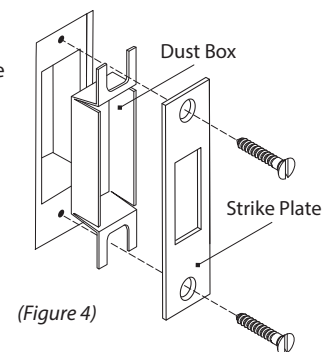
(Figure 3)

FLUSH PULL STRIKE PLATE

Flush pull mortise locks on single sliding doors require a strike plate mortised into the door jamb.

8. Measure the jamb to determine the location the locking mechanism strikes when the door is fully closed. Using the strike plate template provided, prepare the door jamb to accept the dust box and strike plate.

9. Install the dust box and face plate with the screws provided. Make sure the face plate sits flush with the jamb surface; deepen the cavities as needed. After installation, if the latch does not fully engage with the strike, loosen the screws and adjust. (Figure 4)



(Figure 4)

On a double door set, a 2002 lock set may include a mortise lock which features a strike pocket coupled with an edge pull.