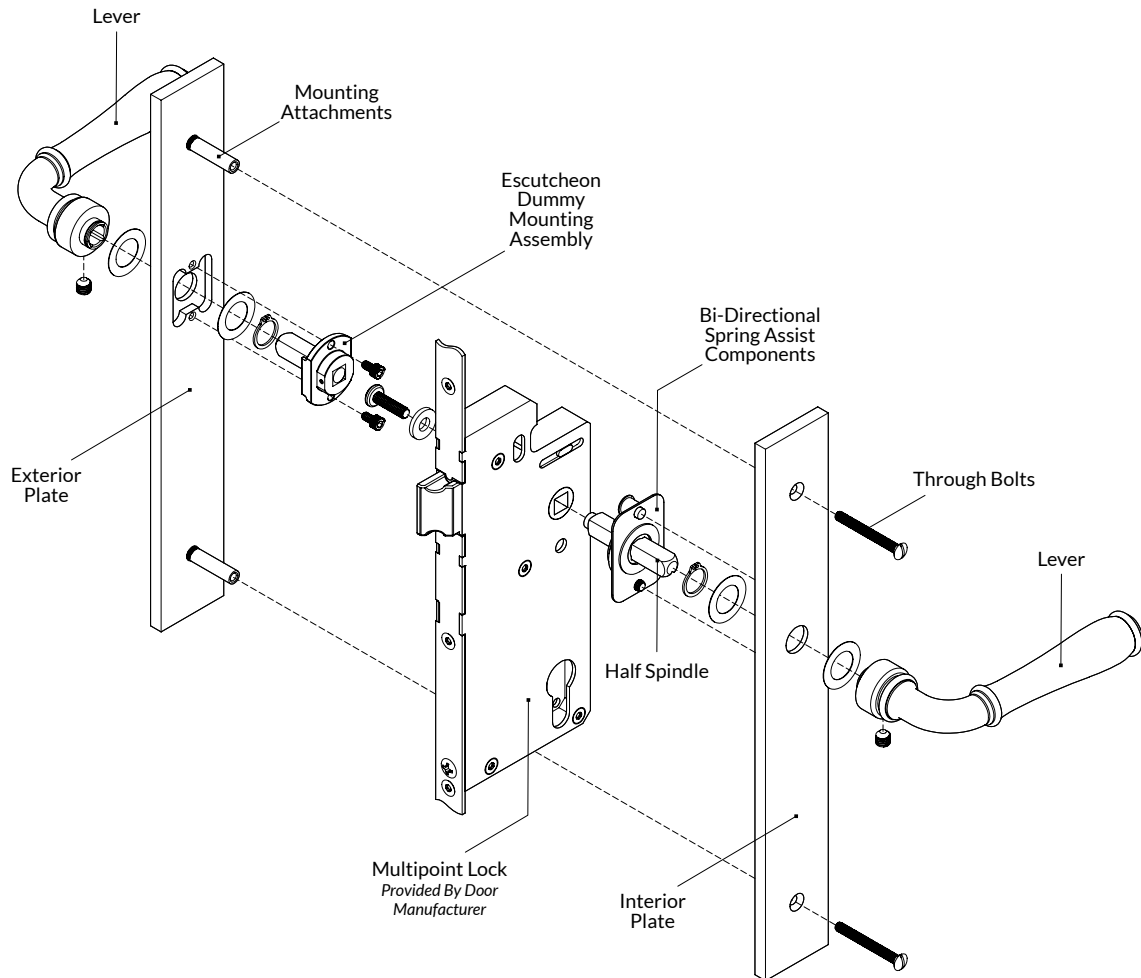




EPMP-AD - EUROPEAN MULTIPOINT ACTIVE DUMMY SET



(Figure 1)

PREPARE DOOR

Prior to ordering hardware sets, a multipoint check sheet must be submitted so the hardware is configured to match the door.

Multipoint locks come pre-installed on exterior doors, so the only preparation that should be necessary is for the spring assist unit. When preparing the door, **Extreme Care** must be exercised not to damage the lock body.

1. Using the template provided, prepare the door to accept the spring assist unit.

ACTIVE DUMMY SET

A multipoint escutcheon active dummy set features a passage lock operated from one side only. Whether the multipoint lock is a European profile or an American style, the function and installation is the same.

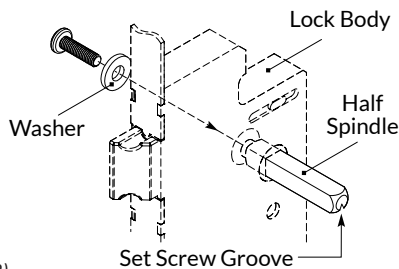
- The exterior plate has two mounting attachments and a dummy mounting plate. The fixed lever is mounted during installation.
- The interior plate has two through bolts, a spring assist unit and an attached active lever.



EPMP-AD - EUROPEAN MULTIPOINT ACTIVE DUMMY SET

INSTALL THE SPINDLE

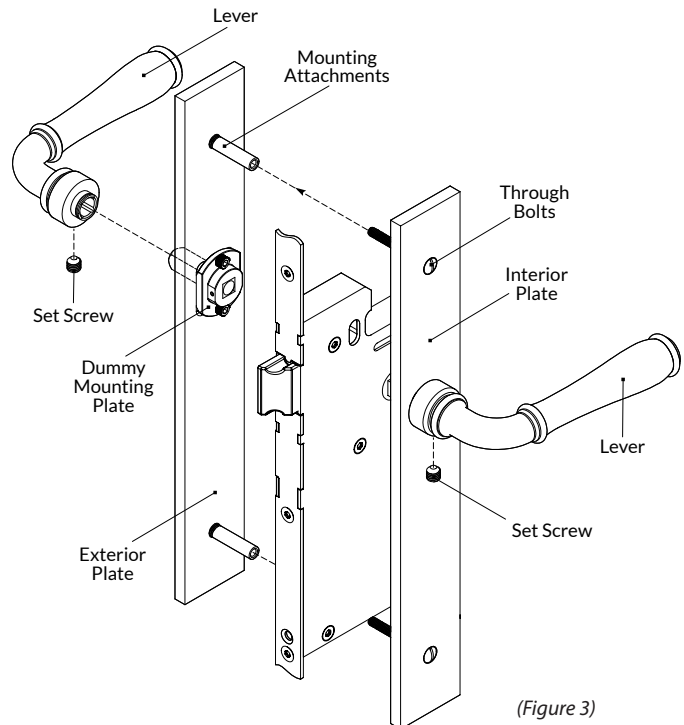
- From the interior side of the door, slide the half spindle into the lock hub. Make sure the set screw groove is on the bottom, facing the floor. (Figure 2)
- From the exterior side of the door, position the machine screw through the steel washer, then firmly install into the half spindle.



(Figure 2)

INSTALL THE HARDWARE

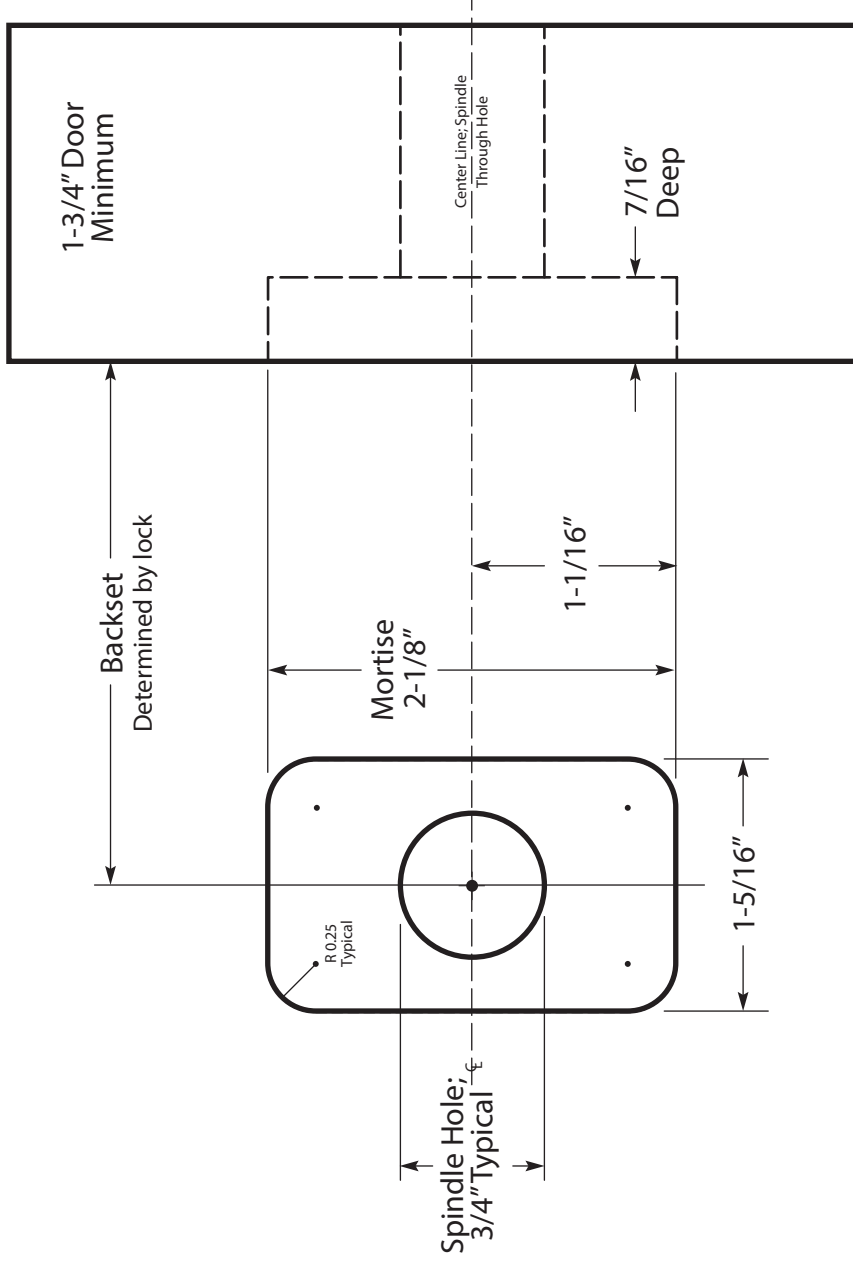
- Position the exterior plate onto the door surface, then install the interior plate by sliding the spindle through the spring assist unit and into the interior lever. Snug the plate to the door surface, then hand tighten the two through bolts into the exterior plate mounting attachments.
- Attach the exterior lever onto the dummy spindle, snugging it tightly against the plate. Tighten the set screw.
- Square the plates to the edge of the door, then test the function of the interior lever. When satisfied that the latch is functioning properly, tighten the through bolts.
- Complete the installation by tightening the set screw on the interior lever. (Figure 3)



(Figure 3)



WATER STREET



This preparation is for a bi-directional spring assist installed on **WOODEN** or **METAL CLAD** multipoint doors.

The door is already drilled and mortised for the lock being used. This additional mortising instruction is for the spring assist only. Examine your hardware and determine which side of the door will be housing the spring assist. Drill and mortise accordingly.

Extreme care must be taken not to damage the pre-installed lock body in any way! If possible, remove the lock body prior to drilling and replace after assuring the spring assist fits in the new cavity. Water Street Brass is in no way responsible for damage to your door or lock as a result of the door preparation.

WS40202

Bi-Directional Spring Assist
Multipoint Door Preparation